

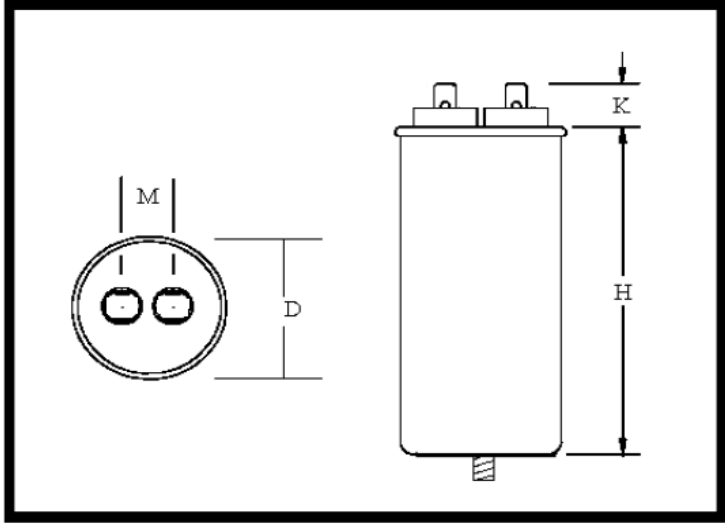
Part Number	CBB66A-540R406A-M8	Revision	F
Customer P/N		Revision	F
Capacitance	40	uF.	Tolerance 5.0%
Voltage	540	VAC	
Dielectric	Metallized Polypropylene		
Terminal Type	Dual .250" X .03" Quick Connect Terminals		
Operating Temperature	-25 °C.-	100 °C.	
Dissipation Factor	0.001	maximum	@ 60 Hz.

MOTOR Capacitors, Inc.

Motor Capacitors, Inc.
 335 Beinoris Drive
 Wood Dale, Illinois 60191
 773-774-6666 (Phone) | 773-774-6690 (Fax)
www.capacitorindustries.com
info@capacitorindustries.com


	Dimension	Tolerance
Diameter (D) Case/Cover	2.17	0.04
Case Height (H)	4.92	0.12
Terminal Height (K)	0.56	ref.
Terminal-Terminal (M)	0.79	ref.
Insulating Cup (dia.)	0.70	ref.
Bottom Mounting Stud	Yes	M-8

Dimensions in inches



Stamping

AHJK - Motor Cap
CBB66A-540R406A-M8
40uF 5% 540 VAC
-25 - +100 C. 50/60 Hz.

C22.2 No. 190-M1985 AMB46C  **US**
Protected 10,000 AFC

Non PCB **RU** **cRU** **Date Code** **RoHS**

Oil-Filled, Aluminum Can w/ M-8 Bottom Mounting Stud
UL810 UL-cUL Approval (540 VAC); Rated 60,000 Hrs; Product of China
Rated Power (540 VAC @ 50 Hz) = 3.66 KVAR
Rated Current (540 VAC @ 50 Hz) = 6.78 A

Approved: *J.D. Aldana*
 Date June 27, 2016