

Part Number	CBB66A-480V246		Revision	
Customer P/N			Revision	
Capacitance	24	uF.	Tolerance	5.0%
Voltage	480	VAC		
Dielectric	Metallized Polypropylene			
Terminal Type	.250" Quad-Spade Quick Connect Terminals			
Operating Temperature	-25 °C.-		100 °C.	
Dissipation Factor	0.0001	maximum	@ 60 Hz.	

MOTOR Capacitors, Inc.

Motor Capacitors, Inc.

335 Beinoris Drive

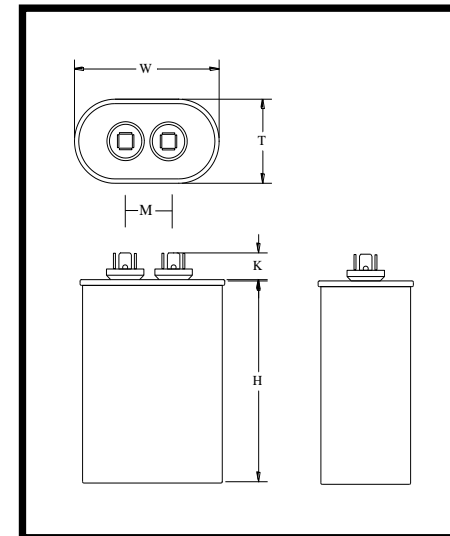
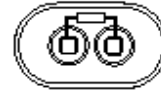
Wood Dale, Illinois 60191

773-774-6666 (Phone) | 773-774-6690 (Fax)

www.capacitorindustries.com

info@capacitorindustries.com

	Dimension	Tolerance
Case / Cover Width (W)	2.79	0.06
Case / Cover Thickness (T)	1.77	0.06
Case Height (H)	3.90	0.06
Terminal Height (K)	0.56	ref.
Terminal-Terminal (M)	0.83	ref.
Insulating Cup (dia.)	0.74	
<i>Dimensions in inches</i>		



Stamping	<p>AHJK - Motor Cap CBB66A-480V246 24 uF 5% 480VAC 100 C Max. 50/60Hz. Protected 10,000 AFC RU Non PCB Date Code RoHs</p>	
----------	--	--

**Metal Halide Lighting Capacitor
With Discharge Resistor**

Approval: J.D. Aldana
Date: August 19, 2009