

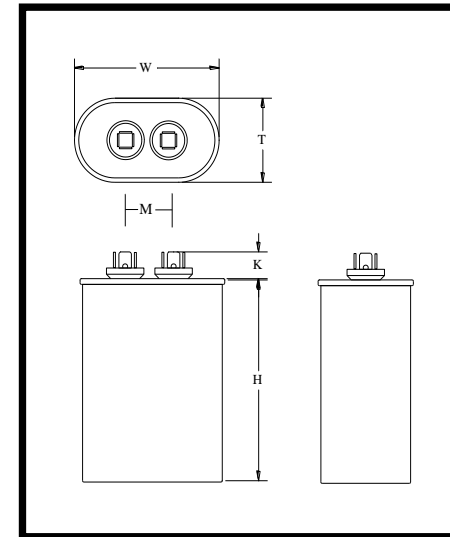
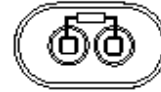
| | | | |
|-----------------------|---|------------------|-----------------------|
| Part Number | CBB66A-480V206 | | Revision |
| Customer P/N | | | Revision |
| Capacitance | 20 | uF. | Tolerance 5.0% |
| Voltage | 480 | VAC | |
| Dielectric | Metallized Polypropylene | | |
| Terminal Type | .250" Quad-Spade Quick Connect Terminals | | |
| Operating Temperature | -25 °C.- | 100 °C. | |
| Dissipation Factor | 0.0001 | maximum @ 60 Hz. | |


MOTOR Capacitors, Inc.

Motor Capacitors, Inc.
335 Beinoris Drive
Wood Dale, Illinois 60191
773-774-6666 (Phone) | 773-774-6690 (Fax)
www.capacitorindustries.com
info@capacitorindustries.com

| | Dimension | Tolerance |
|----------------------------|-------------|-------------|
| Case / Cover Width (W) | 2.79 | 0.06 |
| Case / Cover Thickness (T) | 1.77 | 0.06 |
| Case Height (H) | 3.90 | 0.06 |
| Terminal Height (K) | 0.56 | ref. |
| Terminal-Terminal (M) | 0.83 | ref. |
| Insulating Cup (dia.) | 0.74 | |

Dimensions in inches



| | | |
|----------|---|--|
| Stamping | AHJK - Motor Cap CBB66A-480V206 20 uF 5% 480VAC 100 C Max. 50/60Hz. Protected 10,000 AFC RU Non PCB Date Code RoHs |  |
|----------|---|--|

Metal Halide Lighting Capacitor

Approval: J.D. Aldana
Date August 19, 2009