

Part Number	<b>CBB66A-400R506-M8</b>		Revision
Customer P/N			Revision
Capacitance	<b>50</b>	uF.	Tolerance <b>10.0%</b>
Voltage	<b>400</b>	VAC	
Dielectric	<b>Metallized Polypropylene</b>		
Terminal Type	<b>.250" Quad-Spade Quick Connect Terminals</b>		
Operating Temperature	<b>-25 oC.-</b>	<b>100 °C.</b>	
Dissipation Factor	<b>0.0001</b>	maximum @ 60 Hz.	

# MOTOR Capacitors, Inc.

Motor Capacitors, Inc.

335 Beinoris Drive

Wood Dale, Illinois 60191

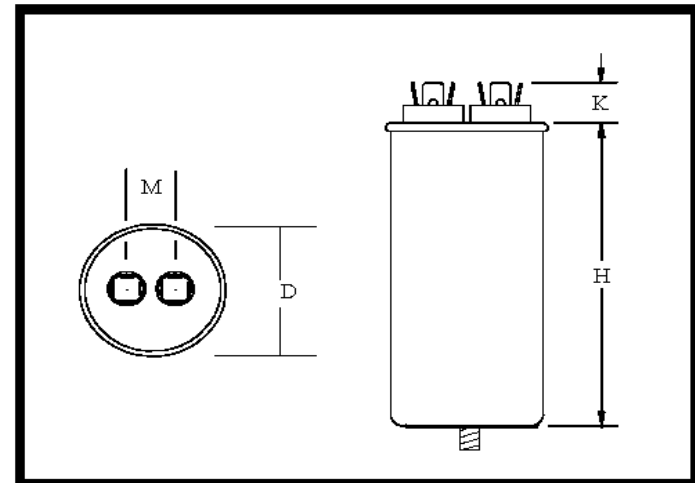
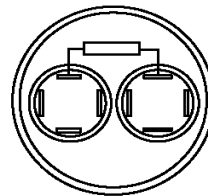
773-774-6666 (Phone) | 773-774-6690 (Fax)

[www.capacitorindustries.com](http://www.capacitorindustries.com)

[info@capacitorindustries.com](mailto:info@capacitorindustries.com)

	Dimension	Tolerance
Diameter (D) Case/Cover	<b>2.50</b>	<b>0.06</b>
Case Height (H)	<b>3.94</b>	<b>0.06</b>
Terminal Height (K)	<b>0.56</b>	ref.
Terminal-Terminal (M)	<b>0.83</b>	ref.
Insulating Cup (dia.)	<b>0.74</b>	
M-8 Stud	<b>Yes</b>	

*Dimensions in inches*




Stamping

**AHJK - Motor Cap**  
**CBB66A-400R506-M8**  
**50 uF 10% 400 VAC**  
**100 C Max. 50/60Hz.**  
**Protected 10,000 AFC**

**RU**

**Non PCB Date Code RoHs**



**with discharge resistor and M8 Stud**  
**Metal Halide Lighting Capacitor**

Engineer J.D Aldana  
Date June 24, 2010