

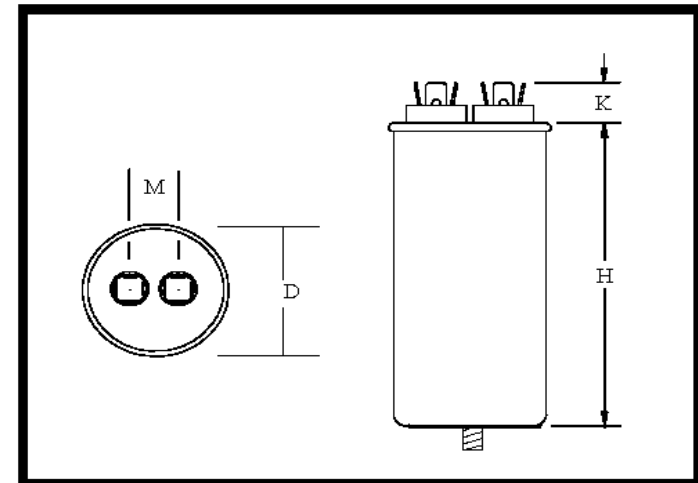
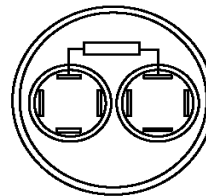
| | | | |
|-----------------------|---|------------------|------------------------|
| Part Number | CBB66A-400R256-M8 | | Revision |
| Customer P/N | | | Revision |
| Capacitance | 25 | uF. | Tolerance 10.0% |
| Voltage | 400 | VAC | |
| Dielectric | Metallized Polypropylene | | |
| Terminal Type | .250" Quad-Spade Quick Connect Terminals | | |
| Operating Temperature | -25 oC.- | 100 °C. | |
| Dissipation Factor | 0.0001 | maximum @ 60 Hz. | |

MOTOR Capacitors, Inc.

Motor Capacitors, Inc.
 335 Beinoris Drive
 Wood Dale, Illinois 60191
 773-774-6666 (Phone) | 773-774-6690 (Fax)
www.capacitorindustries.com
info@capacitorindustries.com


| | Dimension | Tolerance |
|-------------------------|-------------|-------------|
| Diameter (D) Case/Cover | 1.96 | 0.06 |
| Case Height (H) | 3.35 | 0.06 |
| Terminal Height (K) | 0.56 | ref. |
| Terminal-Terminal (M) | 0.83 | ref. |
| Insulating Cup (dia.) | 0.74 | |
| M-8 Stud | Yes | |

Dimensions in inches



Stamping

AHJK - Motor Cap
CBB66A-400R256-M8
25 uF 10% 400 VAC
100 C Max. 50/60Hz.
Protected 10,000 AFC
RU
Non PCB Date Code RoHs



with discharge resistor and M8 Stud
Metal Halide Lighting Capacitor

Engineer J.D. Aldana
 Date June 24, 2010