

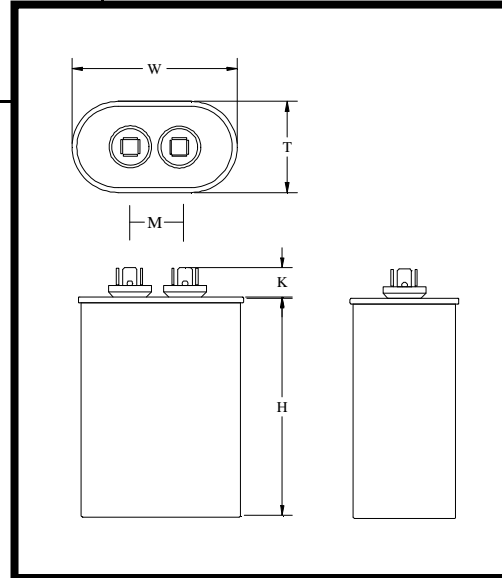
Part Number	<b>CBB65E-450V505</b>	Revision	
Customer P/N		Revision	
Capacitance	<b>5</b>	uF.	Tolerance <b>5.0%</b>
Voltage	<b>450</b>	VAC	
Dielectric	<b>Metallized Polypropylene</b>		
Terminal Type	<b>Single .187" X .02" Quick Connect Terminals</b>		
Operating Temperature	<b>-40</b> °C.-	<b>70</b> °C.	
Dissipation Factor	<b>0.001</b>	maximum	@ 60 Hz.

# motor

## CAPACITORS

	<b>Dimension</b>	<b>Tolerance</b>
Case / Cover Width (W)	<b>2.06</b>	<b>0.03</b>
Case / Cover Thickness (T)	<b>1.24</b>	<b>0.03</b>
Case Height (H)	<b>2.56</b>	<b>0.06</b>
Terminal Height (K)	<b>0.56</b>	<b>max.</b>
Terminal-Terminal (M)	<b>0.67</b>	<b>ref.</b>
Insulating Cup (dia.)	<b>0.58</b>	

*Dimensions in inches*




Stamping

**Wuxi - Motor Cap**  
**CBB65E-450V505**  
**5uF 5% 450 VAC**  
**-40 - +70 C. 50/60 Hz.**

**Protected 10,000 AFC**

**Non PCB RU cRU TUV CE Date Code RoHS**



**EIA Standard 456 Extended Life 60,000 HOURS**

