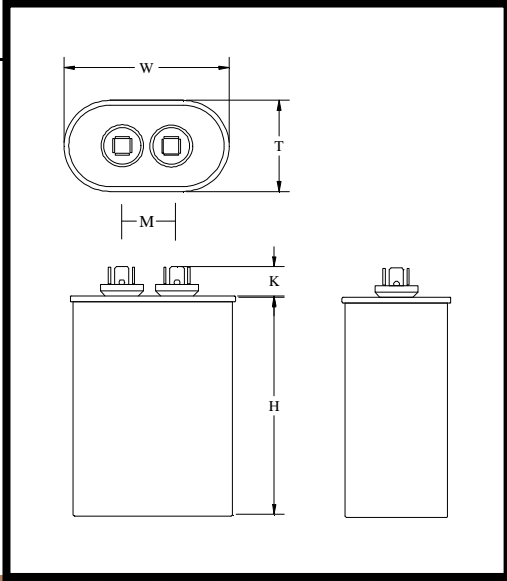


Part Number	CBB65E-450V405	Revision	
Customer P/N	620057820	Revision	
Capacitance	4	uF.	Tolerance 5.0%
Voltage	450	VAC	
Dielectric	Metallized Polypropylene		
Terminal Type	Single .187" X .02" Quick Connect Terminals		
Operating Temperature	-40 oC.-	70 °C.	
Dissipation Factor	0.001	maximum	@ 60 Hz.




	Dimension	Tolerance
Case / Cover Width (W)	2.06	0.03
Case / Cover Thickness (T)	1.24	0.03
Case Height (H)	2.56	0.06
Terminal Height (K)	0.56	max.
Terminal-Terminal (M)	0.81	ref.
Insulating Cup (dia.)	0.74	

Dimensions in inches



Stamping

Wuxi - Motor Cap
CBB65E-450V405
4uF 5% 450 VAC
-40 - +70 C. 50/60 Hz.
620057820



Protected 10,000 AFC

Non PCB RU cRU TUV CE Date Code RoHS

EIA Standard 456 Extended Life 60,000 HOURS

