

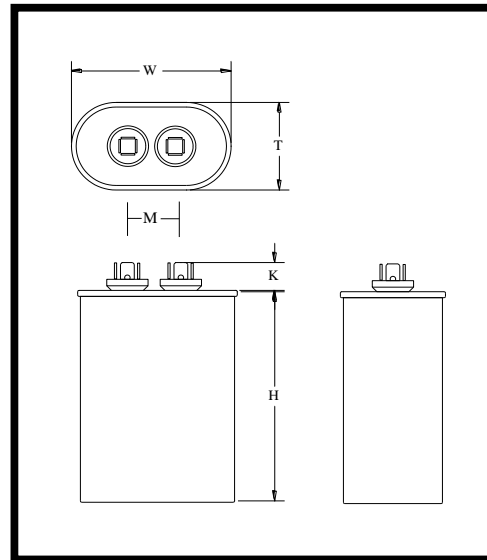
Part Number	<b>CBB65E-450V305</b>		Revision
Customer P/N			Revision
Capacitance	<b>5</b>	uF.	Tolerance <b>5.0%</b>
Voltage	<b>450</b>	VAC	
Dielectric	<b>Metallized Polypropylene</b>		
Terminal Type	<b>Single .187" X .02" Quick Connect Terminals</b>		
Operating Temperature	<b>-40 °C.-</b>	<b>70 °C.</b>	
Dissipation Factor	<b>0.001</b>	maximum @ 60 Hz.	

# MOTOR Capacitors, Inc.

**Motor Capacitors, Inc.**  
**335 Beinoris Drive**  
**Wood Dale, Illinois 60191**  
**773-774-6666 (Phone) | 773-774-6690 (Fax)**  
[www.capacitorindustries.com](http://www.capacitorindustries.com)  
[info@capacitorindustries.com](mailto:info@capacitorindustries.com)

	<b>Dimension</b>	<b>Tolerance</b>
Case / Cover Width (W)	<b>1.57</b>	<b>0.03</b>
Case / Cover Thickness (T)		
Case Height (H)	<b>2.36</b>	<b>0.06</b>
Terminal Height (K)	<b>0.56</b>	<b>max.</b>
Terminal-Terminal (M)	<b>0.67</b>	<b>ref.</b>
Insulating Cup (dia.)	<b>0.58</b>	

*Dimensions in inches*



Stamping

**Wuxi - Motor Cap**  
**CBB65E-450R505-M8**  
**5uF 5% 450 VAC**  
**-40 - +70 C. 50/60 Hz.**

**cRU<sup>®</sup> US**

**P2 Protected 10,000 AFC**  
**Non PCB RU cRU TUV Date Code RoHS**

**EIA Standard 456 Extended Life 60,000 HOURS**  
**0.187" Single Spade Terminals**  
**M8 Bottom Mounting Stud**  
**Supplied with nuts and washers**

Approval: J.D. Aldana  
Date: June 15, 2012