

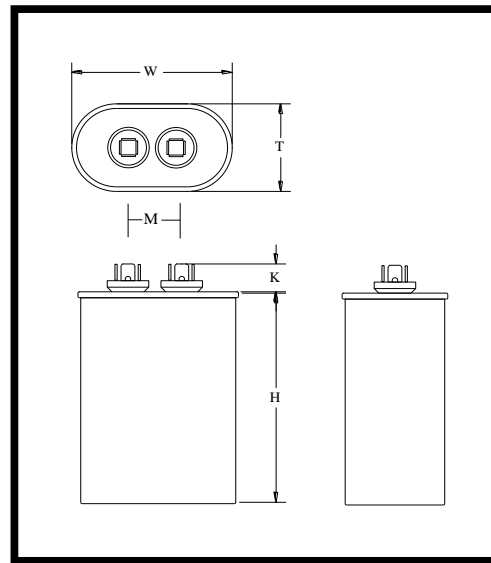
Part Number	<b>CBB65E-440V755</b>		Revision	<b>A</b>
Customer P/N			Revision	<b>A</b>
Capacitance	<b>7.5</b>	uF.	Tolerance	<b>5.0%</b>
Voltage	<b>440</b>	VAC		
Dielectric	<b>Metallized Polypropylene</b>			
Terminal Type	<b>.250" Quad-Spade Quick Connect Terminals</b>			
Operating Temperature	<b>-40 °C.-</b>		<b>70 °C.</b>	
Dissipation Factor	<b>0.001</b>	maximum	@ 60 Hz.	

# MOTOR Capacitors, Inc.

**Motor Capacitors, Inc.**  
**335 Beinoris Drive**  
**Wood Dale, Illinois 60191**  
**773-774-6666 (Phone) | 773-774-6690 (Fax)**  
[www.capacitorindustries.com](http://www.capacitorindustries.com)  
[info@capacitorindustries.com](mailto:info@capacitorindustries.com)

	<b>Dimension</b>	<b>Tolerance</b>
Case / Cover Width (W)	<b>2.07</b>	<b>0.06</b>
Case / Cover Thickness (T)	<b>1.24</b>	<b>0.06</b>
Case Height (H)	<b>2.95</b>	<b>0.06</b>
Terminal Height (K)	<b>0.56</b>	ref.
Terminal-Terminal (M)	<b>0.81</b>	ref.
Insulating Cup (dia.)	<b>0.74</b>	ref.

*Dimensions in inches*



Stamping

**Wuxi - Motor Cap**  
**CBB65E-440V755**  
**7.5 uF 5% 440VAC**  
**-40 - +70 C. 50/60 Hz.**

**CRUS**

**P2 Protected 10,000 AFC**  
**Non PCB RU cRU Date Code RoHS**

**EIA Standard 456 Extended Life 60,000 HOURS**

Approval: J.D. Aldana  
Date: October 9, 2017