

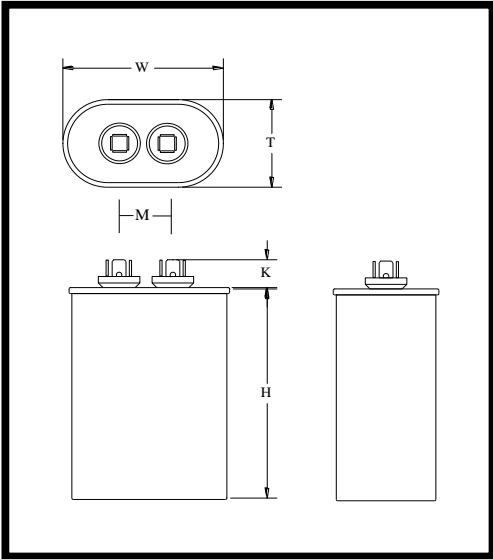
Part Number	CBB65E-370V205		Revision
Customer P/N			Revision
Capacitance	2	uF.	Tolerance 5.0%
Voltage	370	VAC	
Dielectric	Metallized Polypropylene		
Terminal Type	.250" Quad-Spade Quick Connect Terminals		
Operating Temperature	-40 °C.-	70 °C.	
Dissipation Factor	0.001	maximum @ 60 Hz.	

MOTOR Capacitors, Inc.

Motor Capacitors, Inc.
 335 Beinoris Drive
 Wood Dale, Illinois 60191
 773-774-6666 (Phone) | 773-774-6690 (Fax)
www.capacitorindustries.com
info@capacitorindustries.com

	Dimension	Tolerance
Case / Cover Width (W)	2.07	0.06
Case / Cover Thickness (T)	1.24	0.06
Case Height (H)	2.17	0.06
Terminal Height (K)	0.56	ref.
Terminal-Terminal (M)	0.81	ref.
Insulating Cup (dia.)	0.74	ref.

Dimensions in inches



Stamping

Wuxi - Motor Cap
CBB65E-370V205
2 uF 5% 370 VAC
-40 - +70 C. 50/60 Hz.

cRU[®] US

S2 Protected 10,000 AFC
Non PCB RU cRU Date Code RoHS

EIA Standard 456 Extended Life 60,000 HOURS

Approval: J.D. Aldana
 Date September 14, 2016