

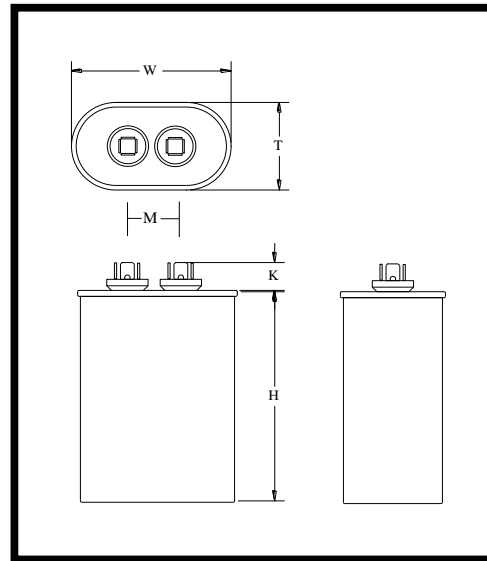
Part Number	CBB65-660V306		Revision
Customer P/N			Revision
Capacitance	30	uF.	Tolerance 5.0%
Voltage	660	VAC	
Dielectric	Metallized Polypropylene		
Terminal Type	.250" Quad-Spade Quick Connect Terminals		
Operating Temperature	-25 °C.-	85 °C.	
Dissipation Factor	0.001	maximum	@ 60 Hz.

MOTOR Capacitors, Inc.

Motor Capacitors, Inc.
 335 Beinoris Drive
 Wood Dale, Illinois 60191
 773-774-6666 (Phone) | 773-774-6690 (Fax)
www.capacitorindustries.com
info@capacitorindustries.com

	Dimension	Tolerance
Case / Cover Width (W)	3.55/3.66	0.06
Case / Cover Thickness (T)	1.86/1.98	0.06
Case Height (H)	3.98	0.06
Terminal Height (K)	0.56	ref.
Terminal-Terminal (M)	0.81	ref.
Insulating Cup (dia.)	0.74	ref.

Dimensions in inches



Stamping

**Wuxi - Motor Cap
 CBB65-660V306
 30 uF. 5% 660 VAC
 -25 - +85 C. 50/60 Hz.**

**Protected 10,000 AFC
 Non PCB Date Code RoHs**

Approval: J.D. Aldana
 Date October 17, 2016