

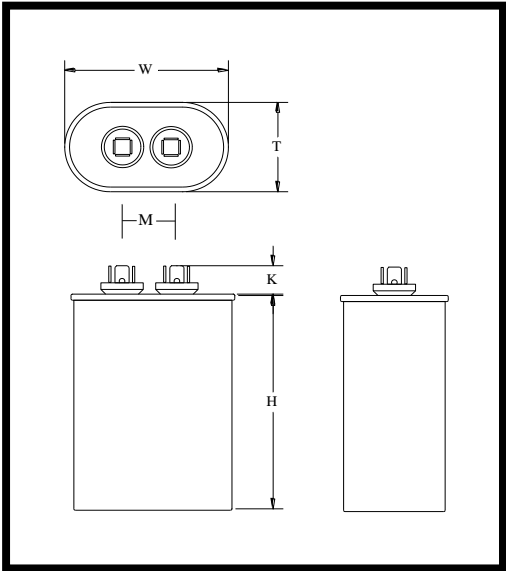
Part Number	CBB65-450V155A	Revision	
Customer P/N	233028	Revision	
Capacitance	1.5	uF.	Tolerance 5.0%
Voltage	450	VAC	
Dielectric	Metallized Polypropylene		
Terminal Type	.250" Quad-Spade Quick Connect Terminals		
Operating Temperature	-40 °C.-	85 °C.	
Dissipation Factor		maximum	@ 60 Hz.

MOTOR Capacitors, Inc.

Motor Capacitors, Inc.
 335 Beinoris Drive
 Wood Dale, Illinois 60191
 773-774-6666 (Phone) | 773-774-6690 (Fax)
www.capacitorindustries.com
info@capacitorindustries.com

	Dimension	Tolerance
Case / Cover Width (W)	2.02/2.13	0.06
Case / Cover Thickness (T)	1.23/1.31	0.03
Case Height (H)	2.17	0.06
Terminal Height (K)	0.56	ref.
Terminal-Terminal (M)	0.81	ref.
Insulating Cup (dia.)	0.74	


Dimensions in inches



Stamping

Anhui - Motor Cap
CBB65-450V155A
1.5 uF. 5% 450VAC
-40 - +85 C. 50/60 Hz.

Protected 10,000 AFC
Non PCB RU Date Code



Approval: J. D. Aldana
 Date July 22, 2009