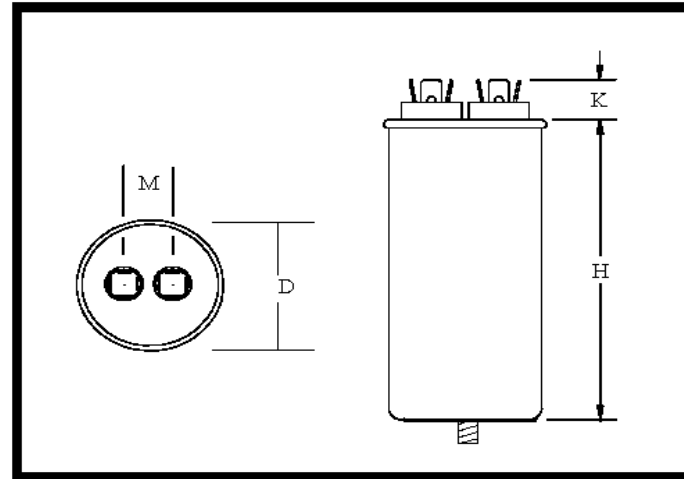



Part Number	CBB65-450R405-M8	Revision	
Customer P/N	MFR4-405-M8	Revision	
Capacitance	4	uF.	Tolerance 5.0%
Voltage	450	VAC	
Dielectric	Metallized Polypropylene		
Terminal Type	.250" Quad-Spade Quick Connect Terminals		
Operating Temperature	-40 °C.-	85 °C.	
Dissipation Factor	0.001	maximum	@ 60 Hz.

MOTOR Capacitors, Inc.

Motor Capacitors, Inc.
335 Beinoris Drive
Wood Dale, Illinois 60191
773-774-6666 (Phone) | 773-774-6690 (Fax)
www.capacitorindustries.com
info@capacitorindustries.com

	Dimension	Tolerance
Diameter (D) Case/Cover	1.18	0.06
Case Height (H)	2.58	0.06
Terminal Height (K)	0.60	MAX.
Terminal-Terminal (M)	0.81	ref.
Insulating Cup (dia.)	0.74	
Bottom Mounting Stud	Yes	
<i>Dimensions in inches</i>		



Stamping	
ITAL - Motor Cap CBB65-450R405-M8 4.0uF 5% 450/500 VAC -40 - +85 C. 50/60 Hz. MFR4-405-M8 Protected 10,000 AFC	
	
Non PCB	RU cRU VDE CE Date Code RoHS

VDE & CE Approval
M8 Bottom Stud WITH HARDWARE

Approved: J.D. Aldana
Date: April 3, 2020