

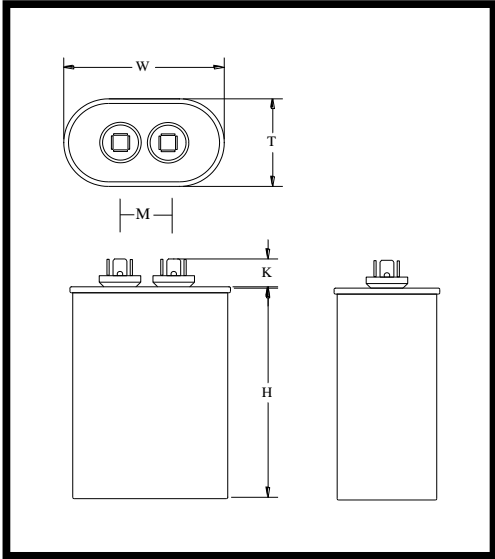
Part Number	CBB65-440V505-M5	Revision	
Customer P/N	126000023	Revision	
Capacitance	5	uF.	Tolerance 5.0%
Voltage	440	VAC	
Dielectric	Metallized Polypropylene		
Terminal Type	.250" Quad-Spade Quick Connect Terminals		
Operating Temperature	-40 °C.-	85 °C.	
Dissipation Factor	0.001	maximum	@ 60 Hz.

MOTOR Capacitors, Inc.

Motor Capacitors, Inc.
335 Beinoris Drive
Wood Dale, Illinois 60191
773-774-6666 (Phone) | 773-774-6690 (Fax)
www.capacitorindustries.com
info@capacitorindustries.com

	Dimension	Tolerance
Case / Cover Width (W)	2.03/2.16	0.03
Case / Cover Thickness (T)	1.23/1.31	0.03
Case Height (H)	2.75	max.
Terminal Height (K)	0.56	max.
Terminal-Terminal (M)	0.81	ref.
Insulating Cup (dia.)	0.74	

Dimensions in inches




Stamping

Wuxi - Motor Cap
CBB65-440V505-M5
5uF 5% 440 VAC.
-40 - +85 C. 50/60 Hz.
126000023

Protected 10,000 AFC

Non PCB **RU** **cRU** **Date Code** **RoHS**



Cover Dimensions; 2.16" X 1.31" +/-0.03". Insulating Cups; 0.74" diameter.

Approval: *J.D. Aldana*
Date: June 27, 2005