

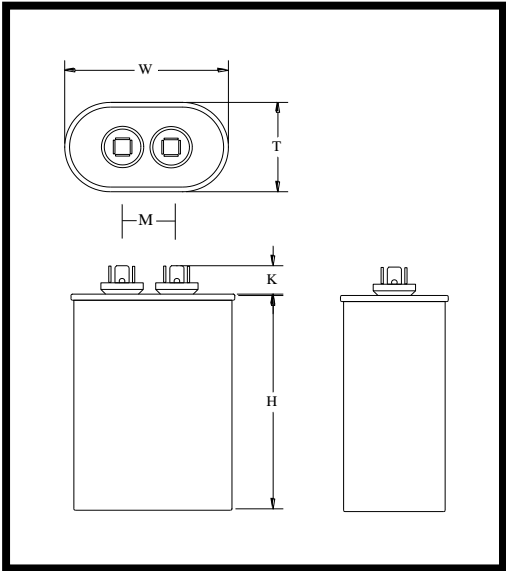
Part Number	<b>CBB65-440V305</b>	Revision	<b>12</b>
Customer P/N	<b>A-8203-3.0 /</b>	Revision	<b>12</b>
Capacitance	<b>3</b>	uF.	Tolerance <b>5.0%</b>
Voltage	<b>440</b>	VAC	
Dielectric	<b>Metallized Polypropylene</b>		
Terminal Type	<b>.250" Quad-Spade Quick Connect Terminals</b>		
Operating Temperature	<b>-40 °C.-</b>	<b>85 °C.</b>	
Dissipation Factor	<b>0.001</b>	maximum	@ 60 Hz.

# MOTOR Capacitors, Inc.

Motor Capacitors, Inc.  
 335 Beinoris Drive  
 Wood Dale, Illinois 60191  
 773-774-6666 (Phone) | 773-774-6690 (Fax)  
[www.capacitorindustries.com](http://www.capacitorindustries.com)  
[info@capacitorindustries.com](mailto:info@capacitorindustries.com)

	Dimension	Tolerance
Case / Cover Width (W)	<b>2.03/2.16</b>	<b>0.03</b>
Case / Cover Thickness (T)	<b>1.23/1.31</b>	<b>0.03</b>
Case Height (H)	<b>2.33</b>	<b>0.06</b>
Terminal Height (K)	<b>0.56</b>	ref.
Terminal-Terminal (M)	<b>0.81</b>	ref.
Insulating Cup (dia.)	<b>0.74</b>	

*Dimensions in inches*




Stamping

**Wuxi - Motor Cap**  
**CBB65-440V305**  
**3uF 5% 440 VAC**  
**-40 - +85 C. 50/60 Hz.**

**Protected 10,000 AFC**

**Non PCB RU cRU Date Code RoHS**



**Cover Dimensions; 2.16" X 1.31" +/-0.03". Insulating Cups; 0.74" diameter.**

Approval: *J. D. Aldana*  
 Date February 21, 2003