

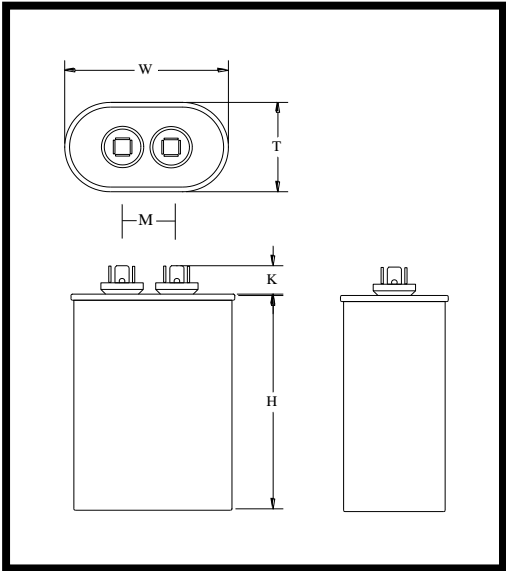
Part Number	CBB65-440V205	Revision	17
Customer P/N	6100-9087	Revision	17
Capacitance	2	uF.	10.0%
Voltage	440	VAC	
Dielectric	Metallized Polypropylene		
Terminal Type	.250" Quad-Spade Quick Connect Terminals		
Operating Temperature	-40 °C.-	85 °C.	
Dissipation Factor	0.001	maximum	@ 60 Hz.

MOTOR Capacitors, Inc.

Motor Capacitors, Inc.
 335 Beinoris Drive
 Wood Dale, Illinois 60191
 773-774-6666 (Phone) | 773-774-6690 (Fax)
www.capacitorindustries.com
info@capacitorindustries.com

	Dimension	Tolerance
Case / Cover Width (W)	2.16	0.03
Case / Cover Thickness (T)	1.31	0.03
Case Height (H)	1.85	0.38
Terminal Height (K)	0.56	max.
Terminal-Terminal (M)	0.81	ref.
Insulating Cup (dia.)	0.74	

Dimensions in inches



Stamping	Wuxi - Motor Cap		
	CBB65-440V205		
	2uF 10% 440 VAC		
	-40 - +85 C. 50/60 Hz.		
	6100-9087		
	Protected 10,000 AFC		
Non PCB	RU	cRU	Date Code RoHS



--

Approval: J. D. Aldana
 Date: April 10, 2006