

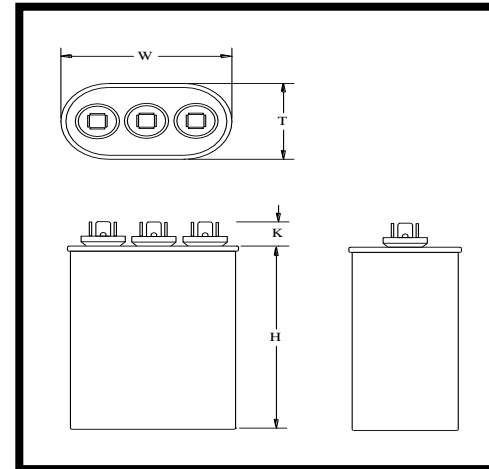
Part Number	CBB65-440V0515		Revision
Customer P/N	240003327		Revision
Capacitance	15 + 5	uF.	Tolerance 5%
Voltage	440	VAC	
Dielectric	Metallized Polypropylene		
Terminal Type	.250" Quad-Spade Quick Connect Terminals		
Operating Temperature	-40	85 °C.	
Dissipation Factor	0.001	maximum @ 60 Hz.	

# MOTOR Capacitors, Inc.

Motor Capacitors, Inc.  
 335 Beinoris Drive  
 Wood Dale, Illinois 60191  
 773-774-6666 (Phone) | 773-774-6690 (Fax)  
[www.capacitorindustries.com](http://www.capacitorindustries.com)  
[info@capacitorindustries.com](mailto:info@capacitorindustries.com)

	Dimension	Tolerance
Case Width (W)	2.80/2.87	0.06
Case Thickness (T)	1.80/1.87	0.06
Case Height (H)	2.95	0.06
Terminal Height (K)	0.56	ref.
Terminal-Terminal (M)	0.81	ref.
Insulating Cup (dia.)	0.74	

*Dimensions in inches*




**Stamping**

Wuxi - Motor Cap  
 CBB65-440V0515  
 15 + 5 uF 5% 440 VAC  
 -40 - +85 C. 50/60 Hz.  
 240003327

Protected 10,000 AFC

Non PCB    YU    cYU    Date Code    RoHS



Terminals: Herm (Red-3), Fan (White-1), Common (Black-4)

Engineer J.D. Aldana  
 Date December 11, 2009