

Part Number	CBB65-440V0512	Revision
Customer P/N	240008402	Revision
Capacitance	12 + 5 uF.	Tolerance 5%
Voltage	440 VAC	
Dielectric	Metallized Polypropylene	
Terminal Type	.250" Quad-Spade Quick Connect Terminals	
Operating Temperature	-40 85 °C.	
Dissipation Factor	0.001	maximum @ 60 Hz.

MOTOR Capacitors, Inc.

Motor Capacitors, Inc.

335 Beinoris Drive

Wood Dale, Illinois 60191

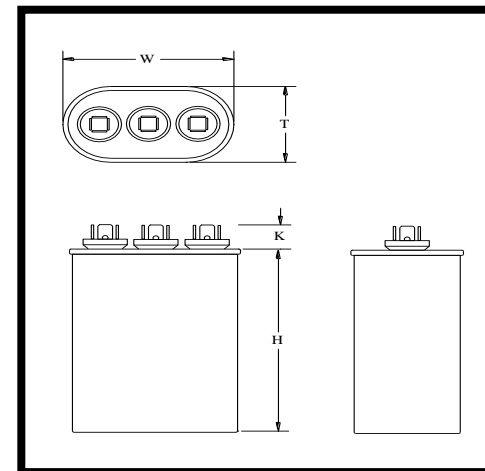
773-774-6666 (Phone) | 773-774-6690 (Fax)

www.capacitorindustries.com

info@capacitorindustries.com

	Dimension	Tolerance
Case Width (W)	2.80/2.87	0.06
Case Thickness (T)	1.80/1.87	0.06
Case Height (H)	2.95	0.06
Terminal Height (K)	0.56	ref.
Terminal-Terminal (M)	0.81	ref.
Insulating Cup (dia.)	0.74	

Dimensions in inches



Stamping				
Wuxi - Motor Cap				
CBB65-440V0512				
12 + 5 uF 5% 440 VAC				
-40 - +85 C. 50/60 Hz.				
240008402				
Protected 10,000 AFC				
Non PCB	YU	cYU	Date Code	RoHS



Terminals: Herm (Red-3), Fan (White-1), Common (Black-4)

Engineer J.D. Aldana
Date February 3, 2010