

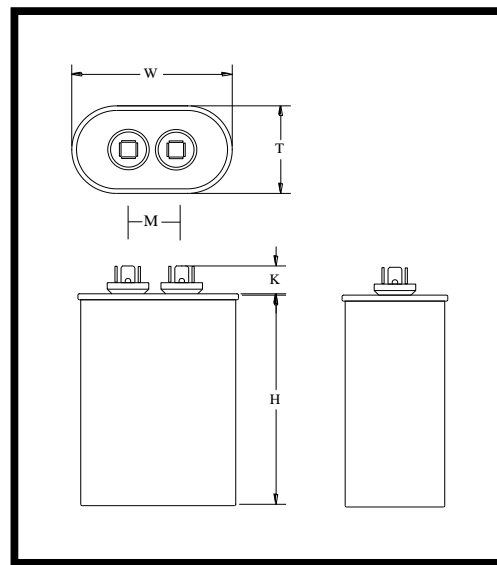
Part Number	<b>CBB65-370V755-M02</b>		Revision	
Customer P/N			Revision	
Capacitance	<b>7.5</b>	uF.	Tolerance	<b>10.0%</b>
Voltage	<b>370</b>	VAC		
Dielectric	<b>Metallized Polypropylene</b>			
Terminal Type	<b>Dual .250" X .03" Quick Connect Terminals</b>			
Operating Temperature	<b>-25 °C.-</b>		<b>85 °C.</b>	
Dissipation Factor	<b>0.001</b>	maximum	@ 60 Hz.	

# MOTOR Capacitors, Inc.

Motor Capacitors, Inc.  
 335 Beinoris Drive  
 Wood Dale, Illinois 60191  
 773-774-6666 (Phone) | 773-774-6690 (Fax)  
[www.capacitorindustries.com](http://www.capacitorindustries.com)  
[info@capacitorindustries.com](mailto:info@capacitorindustries.com)

	Dimension	Tolerance
Case / Cover Width (W)	<b>2.03/2.16</b>	<b>0.03</b>
Case / Cover Thickness (T)	<b>1.24/1.38</b>	<b>0.03</b>
Case Height (H)	<b>2.18</b>	<b>0.06</b>
Terminal Height (K)	<b>0.56</b>	<b>max.</b>
Terminal-Terminal (M)	<b>0.81</b>	<b>ref.</b>
Insulating Cup (dia.)	<b>0.74</b>	

*Dimensions in inches*




Stamping

**Wuxi - Motor Cap**  
**CBB65-370V755-M02**  
**7.5uF 10% 370 VAC**  
**-25 - +85 C. 50/60 Hz.**

**Protected 10,000 AFC**

RoHS RU cRU Date Code




Approval: J.D. Aldana  
 Date: March 7, 2019