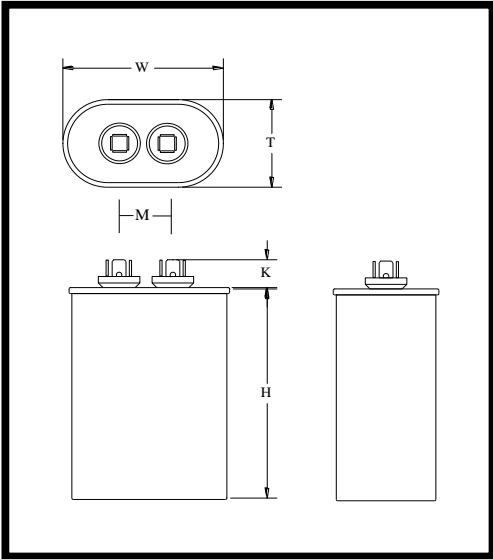



Part Number	CBB65-370V754	Revision	A
Customer P/N	0246A9023P0075A	Revision	A
Capacitance	0.75	uF.	Tolerance 5.0%
Voltage	370	VAC	
Dielectric	Metallized Polypropylene		
Terminal Type	.250" Quad-Spade Quick Connect Terminals		
Operating Temperature	-40 °C.-	85 °C.	
Dissipation Factor	0.001	maximum	@ 60 Hz.

MOTOR Capacitors, Inc.

Motor Capacitors, Inc.
 335 Beinoris Drive
 Wood Dale, Illinois 60191
 773-774-6666 (Phone) | 773-774-6690 (Fax)
www.capacitorindustries.com
info@capacitorindustries.com

	Dimension	Tolerance
Case / Cover Width (W)	2.03/2.16	0.03
Case / Cover Thickness (T)	1.23/1.31	0.03
Case Height (H)	1.60	0.06
Terminal Height (K)	0.56	max.
Terminal-Terminal (M)	0.81	ref.
Insulating Cup (dia.)	0.74	
<i>Dimensions in inches</i>		



Stamping	Wuxi - Motor Cap	
	CBB65-370V754	
	0.75uF 5% 370 VAC	
	-40 - +85 C. 50/60 Hz.	
	0246A9023P0075A	
	Protected 10,000 AFC	
Non PCB	RU cRU	Date Code RoHS

Cover Dimensions; 2.16" X 1.31" +/-0.03". Insulating Cups; 0.74" diameter.

Approval: *J.D. Aldana*
 Date November 9, 2017