

MOTOR Capacitors, Inc.

Motor Capacitors, Inc.

335 Beinoris Drive

Wood Dale, Illinois 60191

773-774-6666 (Phone) | 773-774-6690 (Fax)

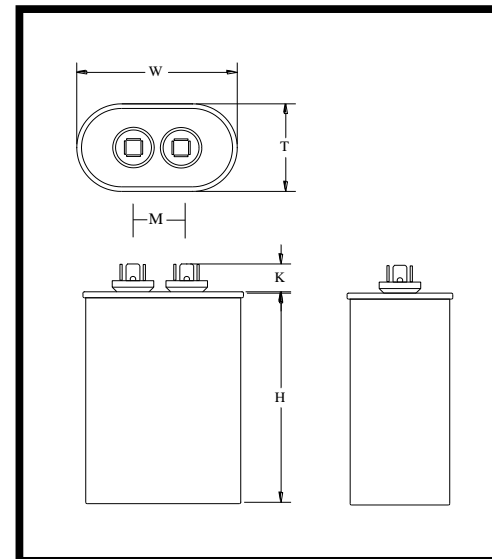
www.capacitorindustries.com

info@capacitorindustries.com


Part Number	CBB65-370V605-M2	Revision	43
Customer P/N	6100-9010	Revision	43
Capacitance	6	uF.	Tolerance 10.0%
Voltage	370	VAC	
Dielectric	Metallized Polypropylene		
Terminal Type	.250" Quad-Spade Quick Connect Terminals		
Operating Temperature	-40 °C.-	85 °C.	
Dissipation Factor	0.001	maximum	@ 60 Hz.

	Dimension	Tolerance
Case / Cover Width (W)	2.03/2.16	0.03
Case / Cover Thickness (T)	1.23/1.31	0.03
Case Height (H)	2.37	0.38
Terminal Height (K)	0.56	ref.
Terminal-Terminal (M)	0.81	ref.
Insulating Cup (dia.)	0.74	

Dimensions in inches



Stamping	Wuxi - Motor Cap			
	CBB65-370V605-M2			
	6uF 10% 370 VAC			
	-40 - +85 C. 50/60 Hz.			
	6100-9010			
	Protected 10,000 AFC			
Non PCB	RU	сRU	Date Code	RoHS



Cover Dimensions; 2.16" X 1.31" +/-0.03". Insulating Cups; 0.74" diameter.

Approval: J.D. Aldana
Date May 22, 2005