

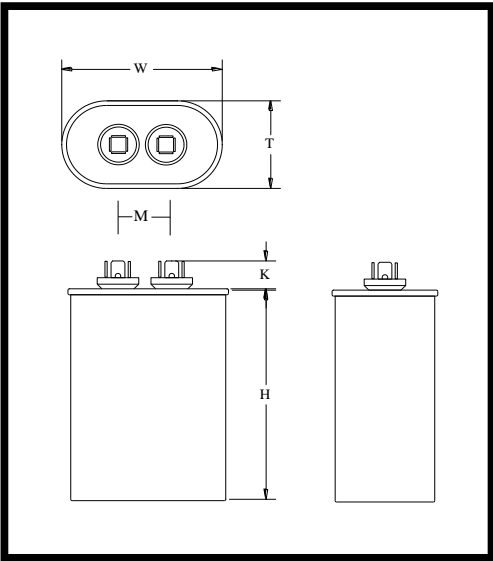
Part Number	<b>CBB65-370V505-M7</b>	Revision	<b>F</b>
Customer P/N	<b>K01666-0012</b>	Revision	<b>F</b>
Capacitance	<b>5</b>	uF.	Tolerance <b>5.0%</b>
Voltage	<b>370</b>	VAC	
Dielectric	<b>Metallized Polypropylene</b>		
Terminal Type	<b>Dual .250" X .03" Quick Connect Terminals</b>		
Operating Temperature	<b>-25 °C.-</b>	<b>70 °C.</b>	
Dissipation Factor	<b>0.0015</b>	maximum @ 60 Hz.	

# MOTOR Capacitors, Inc.

**Motor Capacitors, Inc.**  
**335 Beinoris Drive**  
**Wood Dale, Illinois 60191**  
**773-774-6666 (Phone) | 773-774-6690 (Fax)**  
[www.capacitorindustries.com](http://www.capacitorindustries.com)  
[info@capacitorindustries.com](mailto:info@capacitorindustries.com)

	<b>Dimension</b>	<b>Tolerance</b>
Case / Cover Width (W)	<b>2.03/2.16</b>	<b>0.03</b>
Case / Cover Thickness (T)	<b>1.23/1.31</b>	<b>0.03</b>
Case Height (H)	<b>2.18</b>	<b>0.06</b>
Terminal Height (K)	<b>0.56</b>	<b>ref.</b>
Terminal-Terminal (M)	<b>0.81</b>	<b>ref.</b>
Insulating Cup (dia.)	<b>0.74</b>	

*Dimensions in inches*




Stamping

**Wuxi - Motor Cap**  
**CBB65-370V505-M7**  
**5uF 5% 370 VAC**  
**-25 - +85 C. 50/60 Hz.**  
**K01666-0012**

**Protected 10,000 AFC**

**Non PCB**    **RU**    **cRU**    **Date Code**    **RoHS**



**Cover Dimensions; 2.16" X 1.31" +/-0.03". Insulating Cups; 0.74" diameter.**

Approval: *J.D. Aldana*  
Date July 18, 2005