

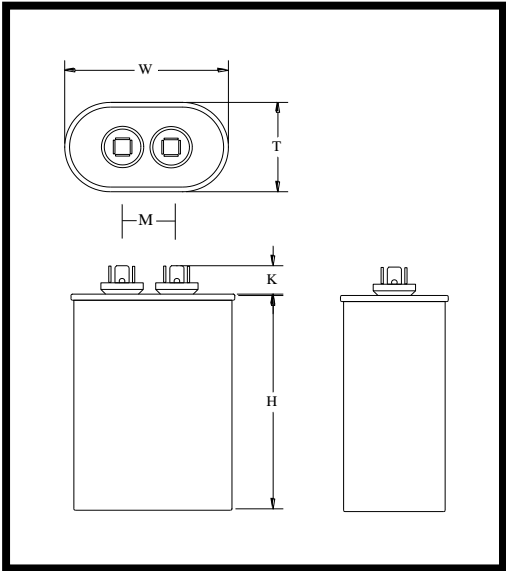
Part Number	CBB65-370V505-A1	Revision	
Customer P/N	100600-01/5599M	Revision	
Capacitance	5	uF.	Tolerance 5.0%
Voltage	370	VAC	
Dielectric	Metallized Polypropylene		
Terminal Type	Single Spade Quick Connect Terminals		
Operating Temperature	-40 °C.-	85 °C.	
Dissipation Factor	0.001	maximum	@ 60 Hz.

MOTOR Capacitors, Inc.

Motor Capacitors, Inc.
 335 Beinoris Drive
 Wood Dale, Illinois 60191
 773-774-6666 (Phone) | 773-774-6690 (Fax)
www.capacitorindustries.com
info@capacitorindustries.com

	Dimension	Tolerance
Case / Cover Width (W)	2.03/2.16	0.03
Case / Cover Thickness (T)	1.23/1.31	0.03
Case Height (H)	2.12	0.06
Terminal Height (K)	0.56	ref.
Terminal-Terminal (M)	0.81	ref.
Insulating Cup (dia.)	0.74	


Dimensions in inches



Stamping

Anhui - Motor Cap
CBB65-370V505-A1
5uF 5% 370 VAC
-40 - +85 C. 50/60 Hz.
100600-01/5599M
Protected 10,000 AFC

Non PCB **RU** **cRU** **Date Code** **RoHS**



Requires A Data Matrix Symbol
Single Spade Terminals

Approval: J. D. Aldana
 Date: December 1, 2004