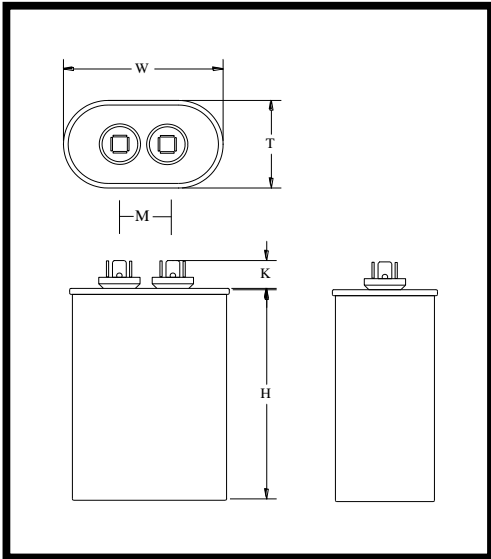


Part Number	<b>CBB65-370V406-M1</b>	Revision	
Customer P/N	<b>DAO-3GJ040</b>	Revision	
Capacitance	<b>40</b>	uF.	Tolerance <b>5.0%</b>
Voltage	<b>370</b>	VAC	
Dielectric	<b>Metallized Polypropylene</b>		
Terminal Type	<b>.250" Quad-Spade Quick Connect Terminals</b>		
Operating Temperature	<b>-25 °C.-</b>	<b>85 °C.</b>	
Dissipation Factor	<b>0.0001</b>	maximum	@ 60 Hz.

# MOTOR Capacitors, Inc.


**Motor Capacitors, Inc.**  
**335 Beinoris Drive**  
**Wood Dale, Illinois 60191**  
**773-774-6666 (Phone) | 773-774-6690 (Fax)**  
[www.capacitorindustries.com](http://www.capacitorindustries.com)  
[info@capacitorindustries.com](mailto:info@capacitorindustries.com)

	<b>Dimension</b>	<b>Tolerance</b>
Case / Cover Width (W)	<b>3.66</b>	<b>0.06</b>
Case / Cover Thickness (T)	<b>1.97</b>	<b>0.06</b>
Case Height (H)	<b>3.94</b>	<b>0.06</b>
Terminal Height (K)	<b>0.56</b>	<b>ref.</b>
Terminal-Terminal (M)		
Insulating Cup (dia.)		
<i>Dimensions in inches</i>		



Stamping

**Motor Capacitors**  
**SH Capacitor**  
**40 uF. 5% 370V 50/60 Hz. SH Capacitor**  
**Non PCB Protected 10,000 AFC**  
**DAO-3GJ040**  
**CBB65-370V406-M1**  
**RU сРУ**




Approval: *J.D. Aldana*  
Date September 12, 2000