

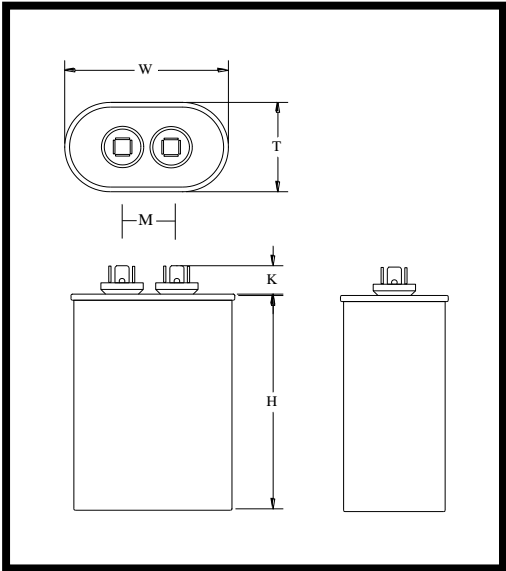
Part Number	CBB65-370V405A	Revision	A
Customer P/N	301132724	Revision	A
Capacitance	4	uF.	Tolerance 5.0%
Voltage	370	VAC	
Dielectric	Metallized Polypropylene		
Terminal Type	.250" Quad-Spade Quick Connect Terminals		
Operating Temperature	-40 °C.-	70 °C.	
Dissipation Factor	0.001	maximum	@ 60 Hz.

MOTOR Capacitors, Inc.

Motor Capacitors, Inc.
 335 Beinoris Drive
 Wood Dale, Illinois 60191
 773-774-6666 (Phone) | 773-774-6690 (Fax)
www.capacitorindustries.com
info@capacitorindustries.com

	Dimension	Tolerance
Case / Cover Width (W)	2.03/2.16	0.03
Case / Cover Thickness (T)	1.23/1.31	0.03
Case Height (H)	2.38	max.
Terminal Height (K)	0.56	ref.
Terminal-Terminal (M)	0.81	ref.
Insulating Cup (dia.)	0.74	

Dimensions in inches




Stamping

Anhui - Motor Cap
 CBB65-370V405A
 4uF 5% 370 VAC
 -40- +70 C. 50/60 Hz.
 301132724

Protected 10,000 AFC

Non PCB RU Date Code RoHS



Needs Improved Quality for Heavy Duty Application
Use Heavy Plastic Inserts and Heavy duty dielectric fluid oil

Approval: J. D. Aldana
 Date March 13, 2010