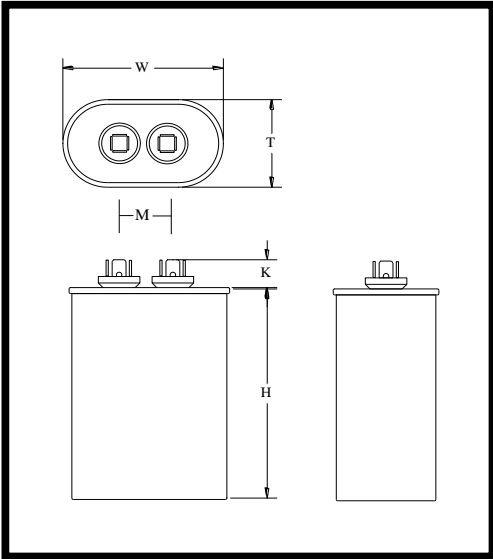


Part Number	<b>CBB65-370V405-A1</b>	Revision	<b>B</b>
Customer P/N	<b>301132724</b>	Revision	<b>B</b>
Capacitance	<b>4</b>	uF.	Tolerance <b>5.0%</b>
Voltage	<b>370</b>	VAC	
Dielectric	<b>Metallized Polypropylene</b>		
Terminal Type	<b>.250" Quad-Spade Quick Connect Terminals</b>		
Operating Temperature	<b>-40 °C.-</b>	<b>70 °C.</b>	
Dissipation Factor	<b>0.001</b>	maximum	@ 60 Hz.

# MOTOR Capacitors, Inc.

Motor Capacitors, Inc.  
 335 Beinoris Drive  
 Wood Dale, Illinois 60191  
 773-774-6666 (Phone) | 773-774-6690 (Fax)  
[www.capacitorindustries.com](http://www.capacitorindustries.com)  
[info@capacitorindustries.com](mailto:info@capacitorindustries.com)

	Dimension	Tolerance
Case / Cover Width (W)	<b>2.03</b>	<b>0.03</b>
Case / Cover Thickness (T)	<b>1.24</b>	<b>0.03</b>
Case Height (H)	<b>1.57</b>	<b>max.</b>
Terminal Height (K)	<b>0.56</b>	<b>ref.</b>
Terminal-Terminal (M)	<b>0.81</b>	<b>ref.</b>
Insulating Cup (dia.)	<b>0.74</b>	
<i>Dimensions in inches</i>		



Stamping

**Anhui - Motor Cap**  
**CBB65-370V405-A1**  
**4uF 5% 370 VAC**  
**-40- +70 C. 50/60 Hz.**  
**301132724**

**CU**<sup>®</sup>**US**

**Protected 10,000 AFC**

**Non PCB RU Date Code RoHS**

**Needs Improved Quality for Heavy Duty Application**  
**Use Heavy Plastic Inserts and Heavy duty dielectric fluid oil**

Approval: J.D. Aldana  
 Date: November 4, 2014