

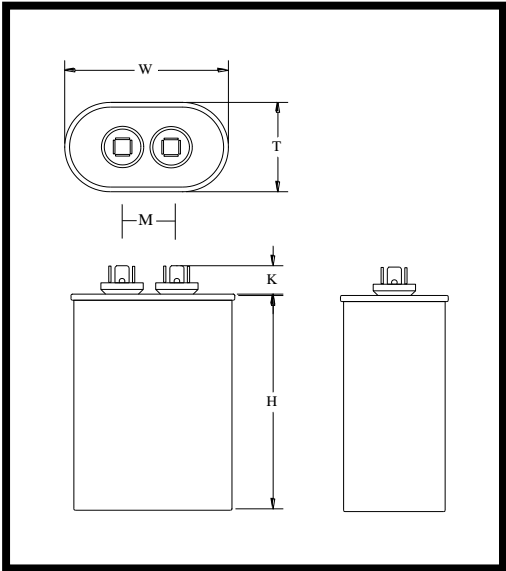
Part Number	CBB65-370V356-M1	Revision	A
Customer P/N	126000017	Revision	A
Capacitance	35	uF.	Tolerance 5.0%
Voltage	370	VAC	
Dielectric	Metallized Polypropylene		
Terminal Type	.250" Quad-Spade Quick Connect Terminals		
Operating Temperature	-40 °C.-	85 °C.	
Dissipation Factor	0.001	maximum	@ 60 Hz.

MOTOR Capacitors, Inc.

Motor Capacitors, Inc.
 335 Beinoris Drive
 Wood Dale, Illinois 60191
 773-774-6666 (Phone) | 773-774-6690 (Fax)
www.capacitorindustries.com
info@capacitorindustries.com

	Dimension	Tolerance
Case / Cover Width (W)	2.80/2.87	0.06
Case / Cover Thickness (T)	1.80/1.87	0.06
Case Height (H)	2.95	0.11
Terminal Height (K)	0.56	ref.
Terminal-Terminal (M)	0.81	ref.
Insulating Cup (dia.)	0.74	

Dimensions in inches




Stamping

Wuxi - Motor Cap
CBB65-370V356-M1
35uF 5% 370 VAC
-40 - +85 C. 50/60 Hz.
126000017

Protected 10,000 AFC

Non PCB **RU** **cRU** **Date Code** **RoHS**



Aluminium Can with Steel Cover

Approval: *J. D. Aldana*
 Date July 19, 2013