

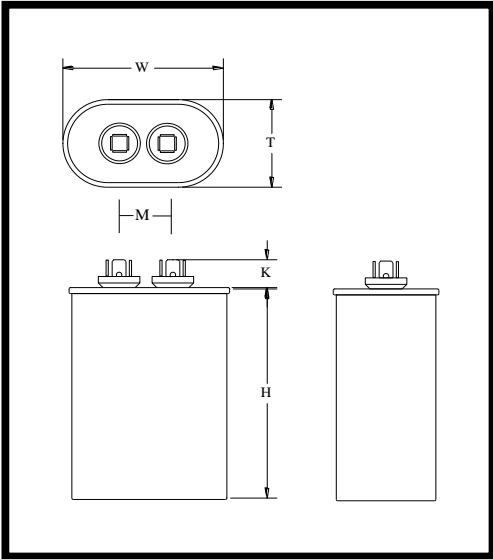
Part Number	CBB65-370V306-M1		Revision	
Customer P/N			Revision	
Capacitance	30	uF.	Tolerance	5.0%
Voltage	370	VAC		
Dielectric	Metallized Polypropylene			
Terminal Type	Dual .250" X .03" Quick Connect Terminals			
Operating Temperature	-25 °C.-		85 °C.	
Dissipation Factor	0.001	maximum	@ 60 Hz.	

MOTOR Capacitors, Inc.

Motor Capacitors, Inc.
 335 Beinoris Drive
 Wood Dale, Illinois 60191
 773-774-6666 (Phone) | 773-774-6690 (Fax)
www.capacitorindustries.com
info@capacitorindustries.com

	Dimension	Tolerance
Case / Cover Width (W)	2.03/2.16	0.03
Case / Cover Thickness (T)	1.23/1.31	0.03
Case Height (H)	3.98	0.06
Terminal Height (K)	0.56	ref.
Terminal-Terminal (M)	0.81	ref.
Insulating Cup (dia.)	0.74	

Dimensions in inches




Stamping

Wuxi - Motor Cap
CBB65-370V306-M1
30uF 5% 370 VAC
-25 - +85 C. 50/60 Hz.

Protected 10,000 AFC

Non PCB RU cRU Date Code RoHS



Cover Dimensions; 2.15" X 1.38" +/-0.03". Insulating Cups; 0.74" diameter.

Approval: J. D. Aldana
 Date: January 26, 2004