

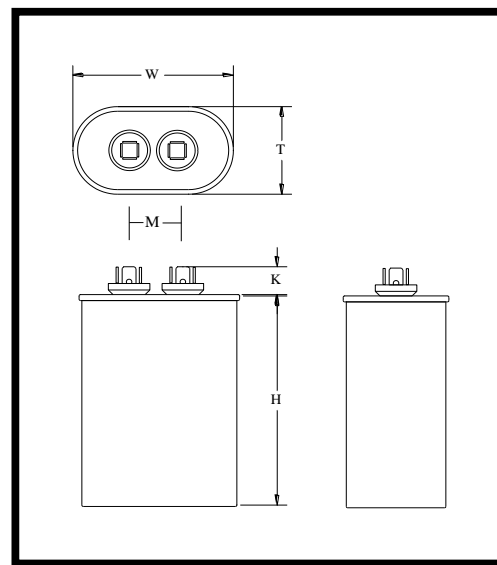
Part Number	CBB65-370V305-PB	Revision	
Customer P/N	6100-9137	Revision	
Capacitance	3	uF.	Tolerance 10.0%
Voltage	370	VAC	
Dielectric	Metallized Polypropylene		
Terminal Type	Dual .250" X .03" Quick Connect Terminals		
Operating Temperature	-25 °C.-	70 °C.	
Dissipation Factor	0.0015	maximum	@ 60 Hz.

MOTOR Capacitors, Inc.

Motor Capacitors, Inc.
335 Beinoris Drive
Wood Dale, Illinois 60191
773-774-6666 (Phone) | 773-774-6690 (Fax)
www.capacitorindustries.com
info@capacitorindustries.com


	Dimension	Tolerance
Case / Cover Width (W)	2.03/2.16	0.03
Case / Cover Thickness (T)	1.23/1.31	0.03
Case Height (H)	2.09	max.
Terminal Height (K)	0.56	ref.
Terminal-Terminal (M)	0.75	0.12
Insulating Cup (dia.)	0.74	

Dimensions in inches



Stamping

Motor Capacitors
CBB65-370V305-PB
3 uF. 10% 370V 50/60 Hz. SH Capacitor
Protected 10000 AFC
+85 C. NON-PCB
6100-9137
RU Date Code



Cover Dimensions; 2.16" X 1.31" +/-0.03". Insulating Cups; 0.74" diameter.
Painted Black

Approval: *J. D. Aldana*
Date: June 20, 2005