

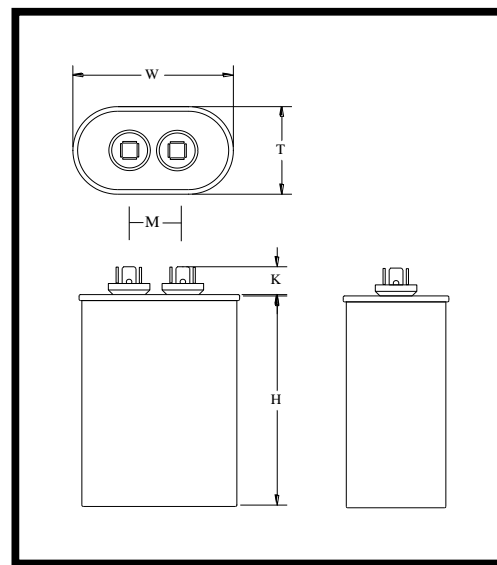
Part Number	<b>CBB65-370V305</b>	Revision	<b>43</b>
Customer P/N	<b>6100-9020 / 195-003-0370</b>	Revision	<b>43</b>
Capacitance	<b>3</b>	uF.	Tolerance <b>10.0%</b>
Voltage	<b>370</b>	VAC	
Dielectric	<b>Metallized Polypropylene</b>		
Terminal Type	<b>.250" Quad-Spade Quick Connect Terminals</b>		
Operating Temperature	<b>-40 °C.-</b>	<b>85 °C.</b>	
Dissipation Factor	<b>0.001</b>	maximum @ 60 Hz.	

# MOTOR Capacitors, Inc.

Motor Capacitors, Inc.  
 335 Beinoris Drive  
 Wood Dale, Illinois 60191  
 773-774-6666 (Phone) | 773-774-6690 (Fax)  
[www.capacitorindustries.com](http://www.capacitorindustries.com)  
[info@capacitorindustries.com](mailto:info@capacitorindustries.com)

	Dimension	Tolerance
Case / Cover Width (W)	<b>2.03/2.16</b>	<b>0.03</b>
Case / Cover Thickness (T)	<b>1.23/1.31</b>	<b>0.03</b>
Case Height (H)	<b>2.18</b>	<b>0.06</b>
Terminal Height (K)	<b>0.56</b>	<b>ref.</b>
Terminal-Terminal (M)	<b>0.81</b>	<b>ref.</b>
Insulating Cup (dia.)	<b>0.74</b>	


*Dimensions in inches*



Stamping

**Wuxi - Motor Cap**  
**CBB65-370V305**  
**3uF 10% 370 VAC**  
**-40- +85 C. 50/60 Hz.**  
**6100-9020 / 195-003-0370**  
**Protected 10,000 AFC**

**Non PCB RU cRU Date Code RoHS**



**Cover Dimensions; 2.16" X 1.31" +/-0.03". Insulating Cups; 0.74" diameter.**  
**Capacitance Tolerance must be +/-10%**

Approval: J. D. Aldana  
 Date June 30, 2005