

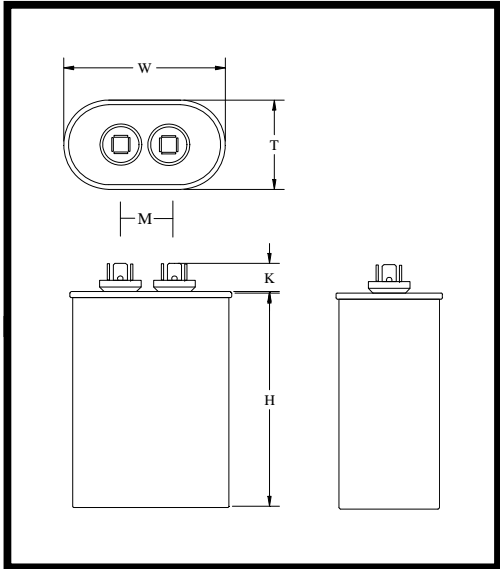
Part Number	CBB65-370V255-M1	Revision	
Customer P/N	240002062	Revision	
Capacitance	2.5	uF.	Tolerance 5.0%
Voltage	370	VAC	
Dielectric	Metallized Polypropylene		
Terminal Type	.250" Quad-Spade Quick Connect Terminals		
Operating Temperature	-40 °C.-	85 °C.	
Dissipation Factor	0.001	maximum	@ 60 Hz.


MOTOR Capacitors, Inc.

Motor Capacitors, Inc.
335 Beinoris Drive
Wood Dale, Illinois 60191
773-774-6666 (Phone) | 773-774-6690 (Fax)
www.capacitorindustries.com
info@capacitorindustries.com

	Dimension	Tolerance
Case / Cover Width (W)	2.03/2.16	0.03
Case / Cover Thickness (T)	1.23/1.31	0.03
Case Height (H)	1.60	0.06
Terminal Height (K)	0.56	ref.
Terminal-Terminal (M)	0.81	ref.
Insulating Cup (dia.)	0.74	

Dimensions in inches



Stamping	Wuxi - Motor Cap	
	CBB65-370V255-M1	
	2.5uF 5% 370 VAC	
	-40 - +85 C. 50/60 Hz.	
	240002062	
	Protected 10,000 AFC	
Non PCB	RU cRU	Date Code RoHS

Cover Dimensions; 2.16" X 1.31" +/-0.03". Insulating Cups; 0.74" diameter.

Approval: J.D. Aldana
Date: November 2, 2005