

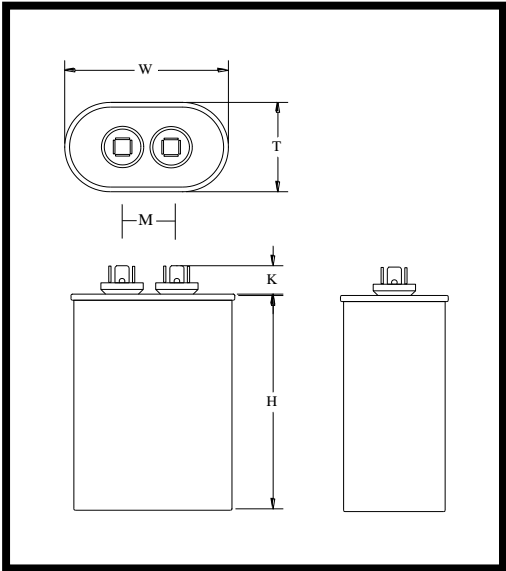
Part Number	CBB65-370V205	Revision	44
Customer P/N	6100-9008 / 240005775	Revision	44
Capacitance	2	uF.	Tolerance 10.0%
Voltage	370	VAC	
Dielectric	Metallized Polypropylene		
Terminal Type	.250" Quad-Spade Quick Connect Terminals		
Operating Temperature	-40 °C.-	85 °C.	
Dissipation Factor	0.001	maximum	@ 60 Hz.

MOTOR Capacitors, Inc.

Motor Capacitors, Inc.
 335 Beinoris Drive
 Wood Dale, Illinois 60191
 773-774-6666 (Phone) | 773-774-6690 (Fax)
www.capacitorindustries.com
info@capacitorindustries.com

	Dimension	Tolerance
Case / Cover Width (W)	2.03/2.16	0.03
Case / Cover Thickness (T)	1.23/1.31	0.03
Case Height (H)	1.85	0.34
Terminal Height (K)	0.56	ref.
Terminal-Terminal (M)	0.81	ref.
Insulating Cup (dia.)	0.74	


Dimensions in inches



Stamping

Wuxi - Motor Cap
CBB65-370V205
2uF 10% 370 VAC
-40 - +85 C. 50/60 Hz.
6100-9008 / 240005775
Protected 10,000 AFC

Non PCB **RU** **cRU** **Date Code** **RoHS**



Cover Dimensions; 2.16" X 1.31" +/-0.03". Insulating Cups; 0.74" diameter.
Preferred Height: 2.18"

Approval: *J. D. Aldana*
 Date March 4, 2016