

Part Number	CBB65-370V1755	Revision	
Customer P/N	MRC370V17R5	Revision	
Capacitance	17.5	uF.	Tolerance 5.0%
Voltage	370	VAC	
Dielectric	Metallized Polypropylene		
Terminal Type	.250" Quad-Spade Quick Connect Terminals		
Operating Temperature	-40 °C.-	85 °C.	
Dissipation Factor	0.001	maximum @ 60 Hz.	

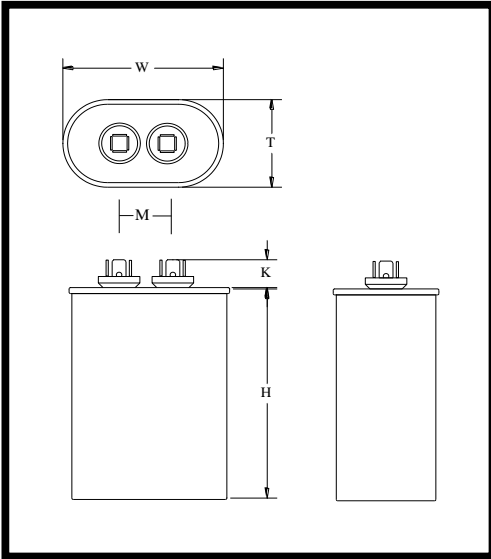
MOTOR

Capacitors, Inc.

Motor Capacitors, Inc.
 335 Beinoris Drive
 Wood Dale, Illinois 60191
 773-774-6666 (Phone) | 773-774-6690 (Fax)
www.capacitorindustries.com
info@capacitorindustries.com


	Dimension	Tolerance
Case / Cover Width (W)	2.03/2.16	0.03
Case / Cover Thickness (T)	1.23/1.31	0.03
Case Height (H)	3.95	0.06
Terminal Height (K)	0.56	ref.
Terminal-Terminal (M)	0.81	ref.
Insulating Cup (dia.)	0.74	

Dimensions in inches



Stamping

Wuxi - Motor Cap
CBB65-370V1755
17.5uF 5% 370 VAC
-40 - +85 C. 50/60 Hz.
MRC370V17R5



Protected 10,000 AFC

Non PCB **RU** **cRU** **Date Code** **RoHS**



Approval: *J.D. Aldana*
 Date: March 1, 2004