

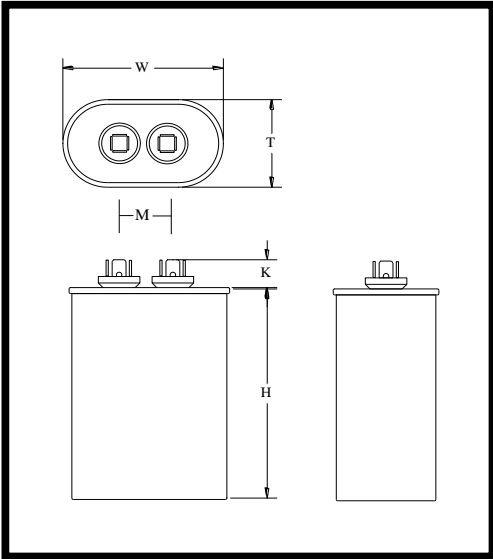
Part Number	CBB65-370V156-M2		Revision	
Customer P/N	126000015		Revision	
Capacitance	15	uF.	Tolerance	5.0%
Voltage	370	VAC		
Dielectric	Metallized Polypropylene			
Terminal Type	.250" Quad-Spade Quick Connect Terminals			
Operating Temperature	-40 °C.-	85 °C.		
Dissipation Factor	0.001	maximum	@ 60 Hz.	

MOTOR Capacitors, Inc.

Motor Capacitors, Inc.
335 Beinoris Drive
Wood Dale, Illinois 60191
773-774-6666 (Phone) | 773-774-6690 (Fax)
www.capacitorindustries.com
info@capacitorindustries.com

	Dimension	Tolerance
Case / Cover Width (W)	2.80/2.87	0.06
Case / Cover Thickness (T)	1.80/1.87	0.06
Case Height (H)	2.95	0.06
Terminal Height (K)	0.56	ref.
Terminal-Terminal (M)	0.81	ref.
Insulating Cup (dia.)	0.74	

Dimensions in inches




Stamping

Wuxi - Motor Cap
CBB65-370V156-M2
15uF 5% 370 VAC
-40 - +85 C. 50/60 Hz.
126000015

Protected 10,000 AFC

Non PCB ЯU сЯU Date Code RoHS




Approval: *J.D. Aldana*
Date January 31, 2000