

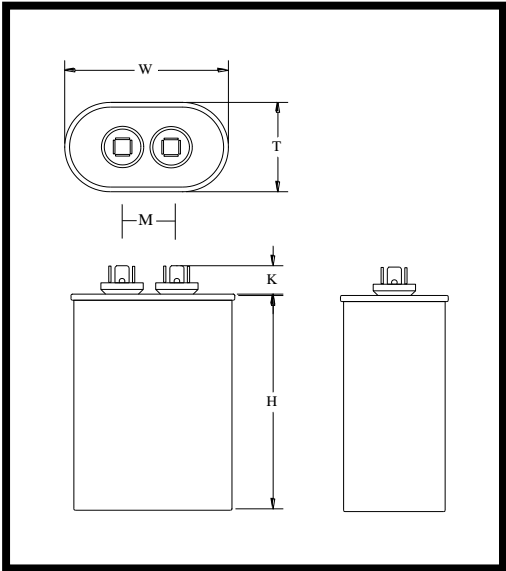
Part Number	CBB65-370V106-A1	Revision	1
Customer P/N	39H6101 / 100600-03	Revision	1
Capacitance	10	uF.	Tolerance 5.0%
Voltage	370	VAC	
Dielectric	Metallized Polypropylene		
Terminal Type	Single Spade Quick Connect Terminals		
Operating Temperature	-40 °C.-	85 °C.	
Dissipation Factor	0.001	maximum	@ 60 Hz.

MOTOR Capacitors, Inc.

Motor Capacitors, Inc.
335 Beinoris Drive
Wood Dale, Illinois 60191
773-774-6666 (Phone) | 773-774-6690 (Fax)
www.capacitorindustries.com
info@capacitorindustries.com

	Dimension	Tolerance
Case / Cover Width (W)	2.03/2.16	0.03
Case / Cover Thickness (T)	1.23/1.31	0.03
Case Height (H)	2.88	0.03
Terminal Height (K)	0.56	max.
Terminal-Terminal (M)	0.81	ref.
Insulating Cup (dia.)	0.74	


Dimensions in inches



Stamping

Anhui - Motor Cap
CBB65-370V106-A1
10uF 5% 370 VAC
-40 - +85 C. 50/60 Hz.
39H6101 / 100600-03
Protected 10,000 AFC

Non PCB **RU** **cRU** **Date Code** **RoHS**



Requires A Data Matrix Symbol
Single Spade Terminals

Approval: *J. D. Aldana*
Date February 23, 2009