

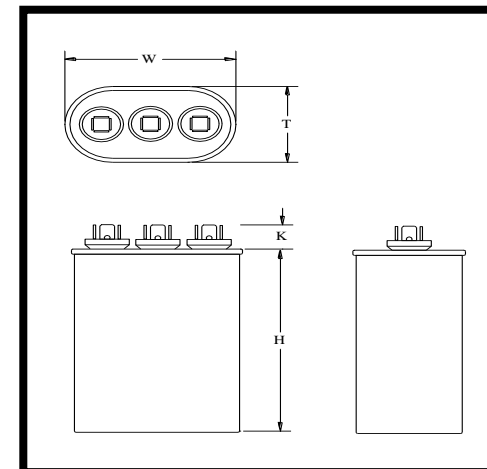
Part Number	CBB65-370V07E80		Revision
Customer P/N			Revision
Capacitance	80 + 7.5	uF.	Tolerance 5%
Voltage	370	VAC	
Dielectric	Metallized Polypropylene		
Terminal Type	.250" Quad-Spade Quick Connect Terminals		
Operating Temperature	-25	85 °C.	
Dissipation Factor	0.001	maximum @ 60 Hz.	


MOTOR Capacitors, Inc.

Motor Capacitors, Inc.
 335 Beinoris Drive
 Wood Dale, Illinois 60191
 773-774-6666 (Phone) | 773-774-6690 (Fax)
www.capacitorindustries.com
info@capacitorindustries.com

	Dimension	Tolerance
Case Width (W)	2.80/2.87	0.06
Case Thickness (T)	1.80/1.87	0.06
Case Height (H)	4.92	0.06
Terminal Height (K)	0.56	ref.
Terminal-Terminal (M)	0.81	ref.
Insulating Cup (dia.)	0.74	

Dimensions in inches



Stamping				
Wuxi - Motor Cap				
CBB65-370V07E80				
80/7.5uF 5% 370 VAC				
-25 - +85 C. 50/60 Hz.				
				
Protected 10,000 AFC				
Non PCB	RU	cRU	Date Code	RoHS

Terminals: Herm (Red-3), Fan (White-1), Common (Black-4)

Engineer J.D. Aldana
 Date November 13, 2002