

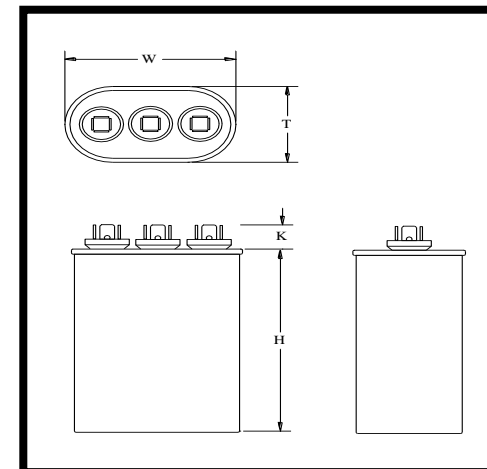
Part Number	CBB65-370V0540	Revision
Customer P/N	240003191	Revision
Capacitance	40 + 5 uF.	Tolerance 5%
Voltage	370 VAC	
Dielectric	Metallized Polypropylene	
Terminal Type	.250" Quad-Spade Quick Connect Terminals	
Operating Temperature	-40 85 °C.	
Dissipation Factor	0.001	maximum @ 60 Hz.

MOTOR Capacitors, Inc.


Motor Capacitors, Inc.
 335 Beinoris Drive
 Wood Dale, Illinois 60191
 773-774-6666 (Phone) | 773-774-6690 (Fax)
www.capacitorindustries.com
info@capacitorindustries.com

	Dimension	Tolerance
Case Width (W)	2.80/2.87	0.06
Case Thickness (T)	1.80/1.87	0.06
Case Height (H)	3.94	0.06
Terminal Height (K)	0.56	ref.
Terminal-Terminal (M)	0.81	ref.
Insulating Cup (dia.)	0.74	

Dimensions in inches



Stamping
 Wuxi - Motor Cap
 CBB65-370V0540
 40 / 5 uF.uF 5% 370 VAC
 -40 - +85 C. 50/60 Hz.
 240003191
 Protected 10,000 AFC
 Non PCB ЯU cЯU Date Code RoHS



Terminals: Herm (Red-3), Fan (White-1), Common (Black-4)

Engineer J.D. Aldana
 Date January 26, 2006