

Part Number	CBB65-370V0530-M1	Revision
Customer P/N	126000025	Revision
Capacitance	30 + 5 uF.	Tolerance 5%
Voltage	370 VAC	
Dielectric	Metallized Polypropylene	
Terminal Type	.250" Quad-Spade Quick Connect Terminals	
Operating Temperature	-40 85 °C.	
Dissipation Factor	0.001	maximum @ 60 Hz.

# MOTOR Capacitors, Inc.

Motor Capacitors, Inc.

335 Beinoris Drive

Wood Dale, Illinois 60191

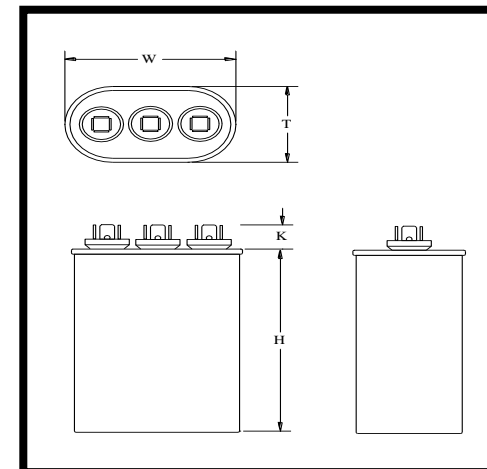
773-774-6666 (Phone) | 773-774-6690 (Fax)

[www.capacitorindustries.com](http://www.capacitorindustries.com)

[info@capacitorindustries.com](mailto:info@capacitorindustries.com)

	Dimension	Tolerance
Case Width (W)	2.80/2.87	0.06
Case Thickness (T)	1.80/1.87	0.06
Case Height (H)	3.94	0.06
Terminal Height (K)	0.56	ref.
Terminal-Terminal (M)	0.81	ref.
Insulating Cup (dia.)	0.74	

*Dimensions in inches*



<b>Stamping</b>	
Wuxi - Motor Cap	
CBB65-370V0530-M1	
30 / 5 uF.uF 5% 370 VAC	
-40 - +85 C. 50/60 Hz.	
126000025	
Protected 10,000 AFC	
Non PCB	RU cRU Date Code RoHS



Terminals: Herm (Red-3), Fan (White-1), Common (Black-4)

Engineer J.D. Aldana  
Date November 2, 2005