

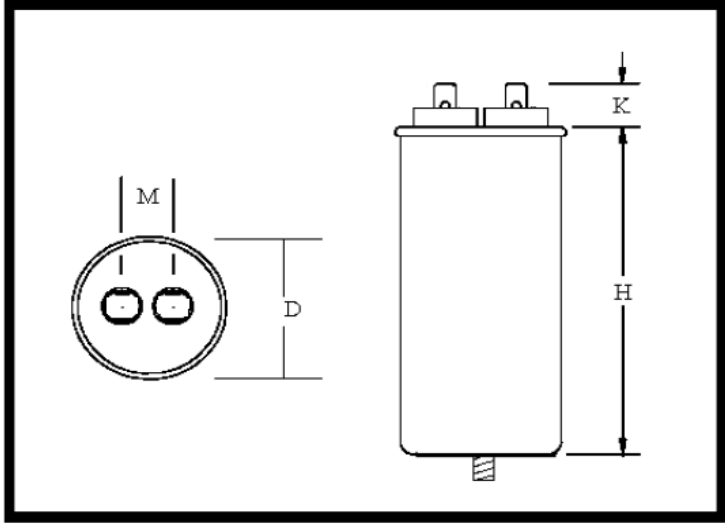
Part Number	<b>CBB65-370R556A-M8</b>	Revision	
Customer P/N	<b>CAP1024</b>	Revision	
Capacitance	<b>55</b>	uF.	Tolerance <b>5.0%</b>
Voltage	<b>370</b>	VAC	
Dielectric	<b>Metallized Polypropylene</b>		
Terminal Type	<b>Dual .250" X .03" Quick Connect Terminals</b>		
Operating Temperature	<b>-40 °C.-</b>	<b>70 °C.</b>	
Dissipation Factor	<b>0.001</b>	maximum	@ 60 Hz.

# MOTOR Capacitors, Inc.

**Motor Capacitors, Inc.**  
 335 Beinoris Drive  
 Wood Dale, Illinois 60191  
 773-774-6666 (Phone) | 773-774-6690 (Fax)  
[www.capacitorindustries.com](http://www.capacitorindustries.com)  
[info@capacitorindustries.com](mailto:info@capacitorindustries.com)

	Dimension	Tolerance
Diameter (D) Case/Cover	<b>1.97/2.07</b>	<b>0.06</b>
Case Height (H)	<b>3.94</b>	<b>0.06</b>
Terminal Height (K)	<b>0.56</b>	<b>ref.</b>
Terminal-Terminal (M)	<b>0.81</b>	<b>ref.</b>
Insulating Cup (dia.)	<b>0.63</b>	
Bottom Mounting Stud	<b>Yes</b>	

*Dimensions in inches*




Stamping

**Motor Cap**  
**CBB65-370R556A-M8**  
**55uF 5% 370 VAC**  
**-40 - +70 C. 50/60 Hz.**

**Protected 10,000 AFC**

**Non PCB RU cRU Date Code RoHS**



**M8 Bottom Mounting Stud**  
**Dual 0.25" Spade Terminals (2 + 2)**

Approved: J.D. Aldana  
 Date December 14, 2015