

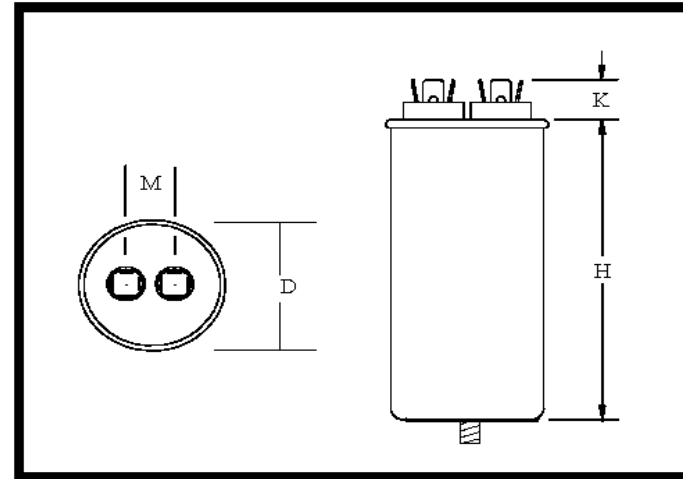
Part Number	<b>CBB65-370R406-M8</b>	Revision	A
Customer P/N	<b>620314322</b>	Revision	<b>A</b>
Capacitance	<b>40</b>	uF.	Tolerance <b>5.0%</b>
Voltage	<b>370</b>	VAC	
Dielectric	<b>Metallized Polypropylene</b>		
Terminal Type	<b>Double Spade and Single Spade</b>		
Operating Temperature	<b>-40 °C.-</b>	<b>85 °C.</b>	
Dissipation Factor	<b>0.001</b>	maximum	@ 60 Hz.


# MOTOR Capacitors, Inc.

**Motor Capacitors, Inc.**  
**335 Beinoris Drive**  
**Wood Dale, Illinois 60191**  
**773-774-6666 (Phone) | 773-774-6690 (Fax)**  
[www.capacitorindustries.com](http://www.capacitorindustries.com)  
[info@capacitorindustries.com](mailto:info@capacitorindustries.com)

	Dimension	Tolerance
Diameter (D) Case/Cover	<b>1.76/1.87</b>	<b>0.03</b>
Case Height (H)	<b>3.94</b>	<b>0.06</b>
Terminal Height (K)	<b>0.60</b>	<b>MAX.</b>
Terminal-Terminal (M)	<b>0.81</b>	<b>ref.</b>
Insulating Cup (dia.)	<b>0.74</b>	
Bottom Mounting Stud	<b>Yes</b>	

*Dimensions in inches*



Stamping	<b>Wuxi - Motor Cap</b>	
	<b>CBB65-370R406-M8</b>	
	<b>40uF 5% 370 VAC</b>	
	<b>-40 - +85 C. 50/60 Hz.</b>	
	<b>Protected 10,000 AFC</b>	
<b>Non PCB</b>	<b>RU cRU Date Code RoHS</b>	

**Green Dot on side near stamping, Supplied with nuts and washers**  
**NOTE: one terminal has only 2 spades and one terminal has only 1 spade**  
**M8 stud can withstand up to 5 N•m (3.688 ft-lb) torque**

Approved: *J.D. Aldana*  
Date August 14, 2018