

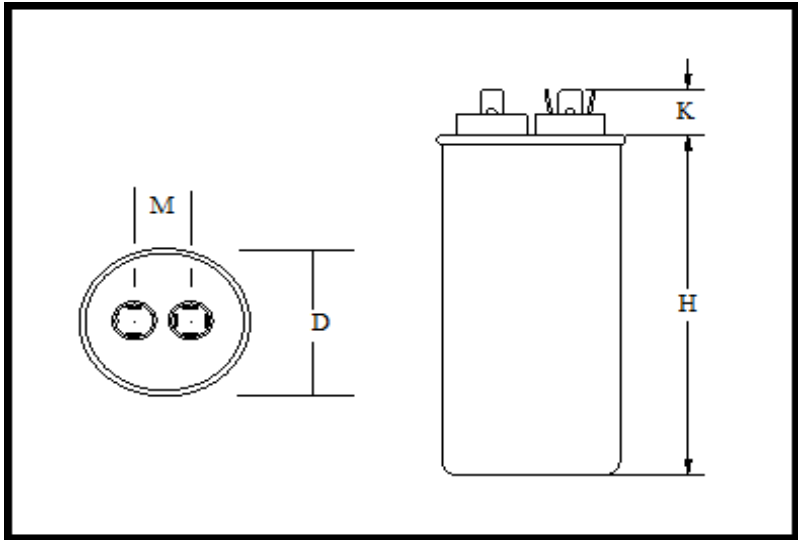
Part Number	CBB65-370R156	Revision	
Customer P/N	3157407	Revision	
Capacitance	15	uF.	Tolerance 5.0%
Voltage	370	VAC	
Dielectric	Metallized Polypropylene		
Terminal Type	.250" Quad-Spade Quick Connect Terminals		
Operating Temperature	-40 °C.-	85 °C.	
Dissipation Factor	0.001	maximum	@ 60 Hz.

MOTOR Capacitors, Inc.

Motor Capacitors, Inc.
335 Beinoris Drive
Wood Dale, Illinois 60191
773-774-6666 (Phone) | 773-774-6690 (Fax)
www.capacitorindustries.com
info@capacitorindustries.com

	Dimension	Tolerance
Diameter (D) Case/Cover	1.57/1.67	0.06
Case Height (H)	3.40	0.06
Terminal Height (K)	0.56	ref.
Terminal-Terminal (M)	0.61	ref.
Insulating Cup (dia.)	0.61	ref.

Dimensions in inches




Stamping

Wuxi - Motor Cap
CBB65-370R156
15uF 5% 370 VAC
-40 - +85 C. 50/60 Hz.

Protected 10,000 AFC

Non PCB **RU** **cRU** **Date Code** **RoHS**



Approval : *J. D. Aldana*
Date : July 26, 2006