

Part Number	CBB65-330R606-M1	Revision	
Customer P/N	21236500060002	Revision	
Capacitance	60	uF.	Tolerance 1.5%
Voltage	330	VAC	
Dielectric	Metallized Polypropylene		
Terminal Type	Two-Spade Quick Connect Terminals		
Operating Temperature	-25 oC.-	85 °C.	
Dissipation Factor	0.001	maximum	@ 60 Hz.

MOTOR Capacitors, Inc.

Motor Capacitors, Inc.

335 Beinoris Drive

Wood Dale, Illinois 60191

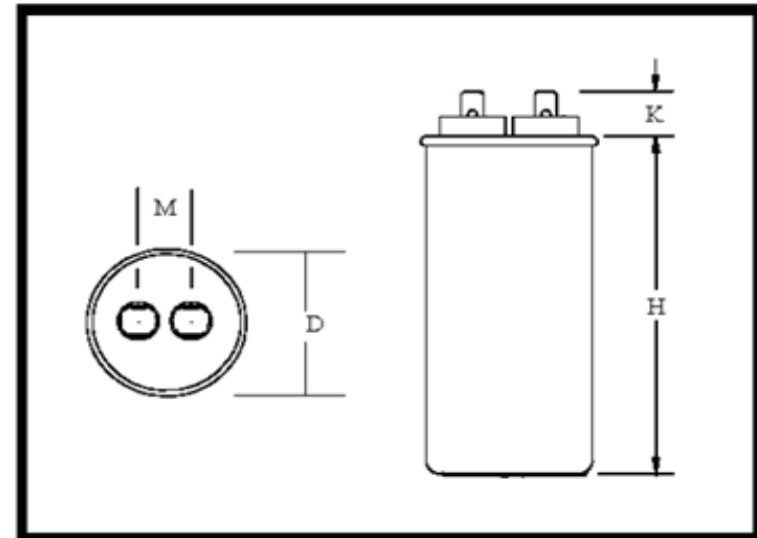
773-774-6666 (Phone) | 773-774-6690 (Fax)


www.capacitorindustries.com

info@capacitorindustries.com

	Dimension	Tolerance
Diameter (D) Case/Cover	2.50	0.06
Case Height (H)	4.75	0.06
Terminal Height (K)	0.52	max.
Terminal-Terminal (M)	0.81	ref.
Insulating Cup (dia.)	0.74	
M-8 Stud	No	

Dimensions in inches



Stamping	Wuxi - Motor Cap			
	CBB65-330R606-M1			
	60uF	1.5%	330 VAC	
	-25 - +85 C.	50/60 Hz.		
	21236500060002			
	Protected 10,000 AFC			
Non PCB	RU	cRU	Date Code	RoHS

Tolerance Dot Marking Required on Cover
White -1.5%~0% Yellow 0%~+1.5%

Approved: J.D. Aldana
Date: March 3, 2005