

Part Number	<b>CBB65-330R306-M1</b>	Revision	
Customer P/N	<b>21236500040002</b>	Revision	
Capacitance	<b>30</b>	uF.	Tolerance <b>1.5%</b>
Voltage	<b>330</b>	VAC	
Dielectric	<b>Metallized Polypropylene</b>		
Terminal Type	<b>Two-Spade Quick Connect Terminals</b>		
Operating Temperature	<b>-25 oC.-</b>	<b>85 °C.</b>	
Dissipation Factor	<b>0.001</b>	maximum	@ 60 Hz.

# MOTOR Capacitors, Inc.

Motor Capacitors, Inc.

335 Beinoris Drive

Wood Dale, Illinois 60191

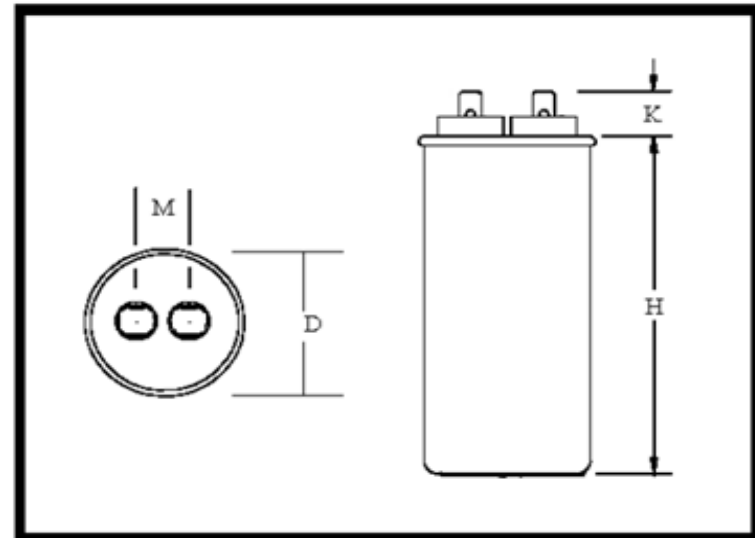
773-774-6666 (Phone) | 773-774-6690 (Fax)


[www.capacitorindustries.com](http://www.capacitorindustries.com)

[info@capacitorindustries.com](mailto:info@capacitorindustries.com)

	Dimension	Tolerance
Diameter (D) Case/Cover	<b>1.77/1.87</b>	<b>0.06</b>
Case Height (H)	<b>4.75</b>	<b>0.06</b>
Terminal Height (K)	<b>0.52</b>	<b>max.</b>
Terminal-Terminal (M)	<b>0.81</b>	<b>ref.</b>
Insulating Cup (dia.)	<b>0.74</b>	
M-8 Stud	<b>No</b>	

*Dimensions in inches*



Stamping	<b>Wuxi - Motor Cap</b>			
	<b>CBB65-330R306-M1</b>			
	<b>30uF</b>	<b>1.5%</b>	<b>330 VAC</b>	
	<b>-25 - +85 C.</b>	<b>50/60 Hz.</b>		
	<b>21236500040002</b>			
	<b>Protected 10,000 AFC</b>			
<b>Non PCB</b>	<b>RU</b>	<b>cRU</b>	<b>Date Code</b>	<b>RoHS</b>

**Tolerance Dot Marking Required on Cover**  
**White -1.5%~0% Yellow 0%~+1.5%**

Approved: J.D. Aldana  
Date: March 3, 2005