

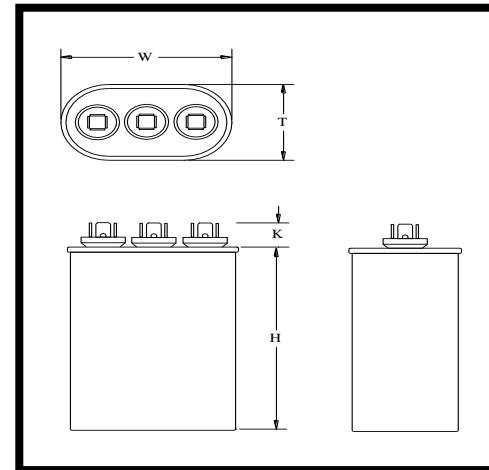
Part Number	CBB65-250V0417		Revision
Customer P/N			Revision
Capacitance	17 + 4	uF.	Tolerance 5%
Voltage	250	VAC	
Dielectric	Metallized Polypropylene		
Terminal Type	.250" Quad-Spade Quick Connect Terminals		
Operating Temperature	-25	85 °C.	
Dissipation Factor	0.001	maximum @ 60 Hz.	

MOTOR Capacitors, Inc.

Motor Capacitors, Inc.
 335 Beinoris Drive
 Wood Dale, Illinois 60191
 773-774-6666 (Phone) | 773-774-6690 (Fax)
www.capacitorindustries.com
info@capacitorindustries.com

	Dimension	Tolerance
Case Width (W)	2.91	0.06
Case Thickness (T)	1.91	0.06
Case Height (H)	2.56	0.06
Terminal Height (K)	0.56	max.
Terminal-Terminal (M)	0.75	ref.
Insulating Cup (dia.)	0.74	

Dimensions in inches




Stamping

Wuxi - Motor Cap
 CBB65-250V0417
 17 + 4 uF 5% 250 VAC
 -25 - +85 C. 50/60 Hz.

Protected 10,000 AFC

Non PCB YU cYU Date Code RoHS



Terminals: Herm (Red-3), Fan (White-1), Common (Black-4)

Engineer J.D. Aldana
 Date February 16, 2006