

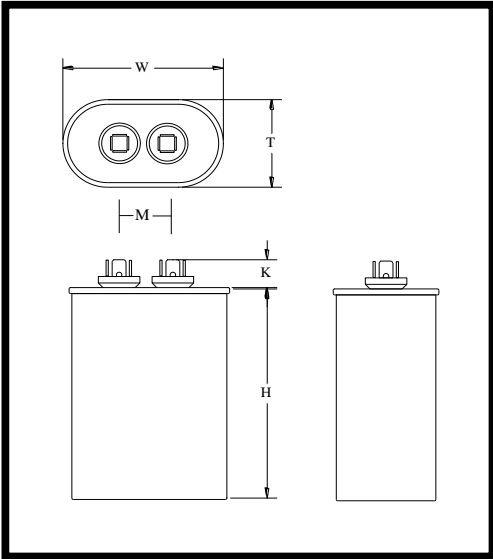
Part Number	CBB5-370V305	Revision	G
Customer P/N	K01666-0006	Revision	G
Capacitance	3	uF.	Tolerance 5.0%
Voltage	370	VAC	
Dielectric	Metallized Polypropylene		
Terminal Type	.250" Quad-Spade Quick Connect Terminals		
Operating Temperature	-25 °C.-	70 °C.	
Dissipation Factor	0.0015	maximum @ 60 Hz.	

MOTOR Capacitors, Inc.

Motor Capacitors, Inc.
 335 Beinoris Drive
 Wood Dale, Illinois 60191
 773-774-6666 (Phone) | 773-774-6690 (Fax)
www.capacitorindustries.com
info@capacitorindustries.com

	Dimension	Tolerance
Case / Cover Width (W)	2.03/2.16	0.03
Case / Cover Thickness (T)	1.23/1.31	0.03
Case Height (H)	1.58	0.08
Terminal Height (K)	0.56	ref.
Terminal-Terminal (M)	0.81	ref.
Insulating Cup (dia.)	0.74	


Dimensions in inches



Stamping

**Motor Capacitors
 CBB5
 3 uF. 5% 370V 50/60 Hz. SH Capacitor**

**+85 C. NON-PCB
 K01666-0006
 ЯU**



Cover Dimensions; 2.16" X 1.31" +/-0.03". Insulating Cups; 0.74" diameter.

Approval: J.D. Aldana
 Date: December 5, 2002