

Part Number	ADPR450M1224J		Revision
Customer P/N	C-1612		Revision
Capacitance	1.22	uF.	Tolerance 5%
Voltage	450	VAC	
Dielectric	Metallized Polypropylene		
Terminal Type	Insulated Wire Leads		
Operating Temperature	-25	85 °C.	
Dissipation Factor	0.001	maximum	@ 60 Hz.

MOTOR Capacitors, Inc.


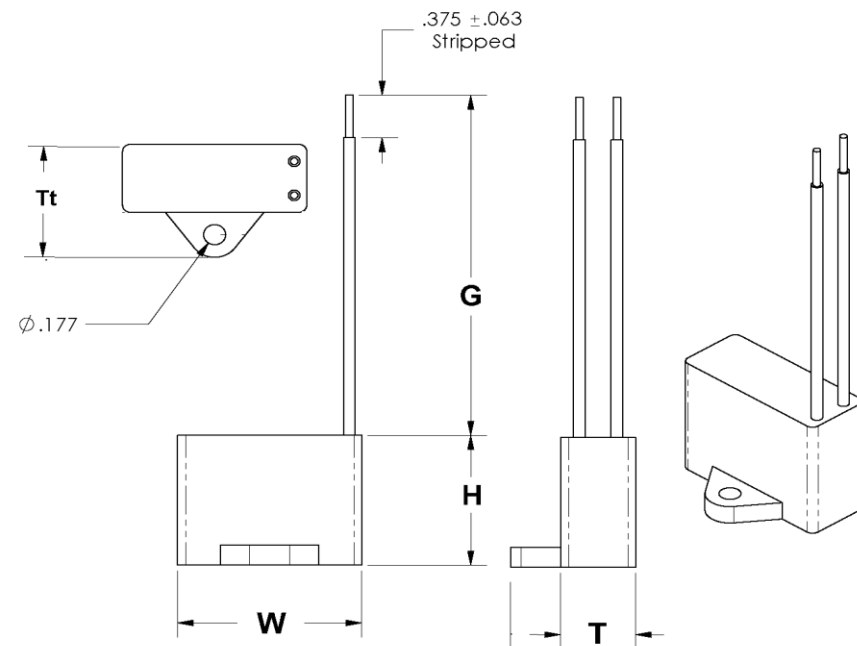
Motor Capacitors, Inc.
 335 Beinoris Drive
 Wood Dale, Illinois 60191
 773-774-6666 (Phone) | 773-774-6690 (Fax)
www.capacitorindustries.com
info@capacitorindustries.com

	Dimension	Tolerance
Width (W)	1.45	0.03
Thickness (T)	0.57	0.03
Height (H)	1.10	0.03
Total Thickness (Tt)	0.97	0.05
Wire Length (G)	3.50	0.50
Wire Gauge (Gw)	18	Solid
Wire Color (Cw)	Black	RU Approved

Dimensions in inches

Stamping

ADPR
1.22 uF 5% 450 VAC
-25 - +85 C.
50 - 60 Hz.
Motor Cap
Resistor and Thermal Fuse
RU, cRU, RoHS

Thermal Fuse: Uchihashi part number 121 or equivalent.
With Internal Bleed Resistor; 2.0 Meg. Ohm, 1/2 watt.
Wire-18 AWG Solid UL Approved 105°C 600 V PVC insul.

Engineer J.D. Aldana
 Date January 27, 2009