

Part Number	<b>ADPR370M155J</b>		Revision	<b>B</b>
Customer P/N	<b>C-1398</b>		Revision	<b>B</b>
Capacitance	<b>1.5</b>	uF.	Tolerance	<b>5%</b>
Voltage	<b>370</b>	VAC		
Dielectric	<b>Metallized Polypropylene</b>			
Terminal Type	<b>Insulated Wire Leads</b>			
Operating Temperature	<b>-25</b>	<b>85 °C.</b>		
Dissipation Factor	<b>0.001</b>	maximum	@ 60 Hz.	

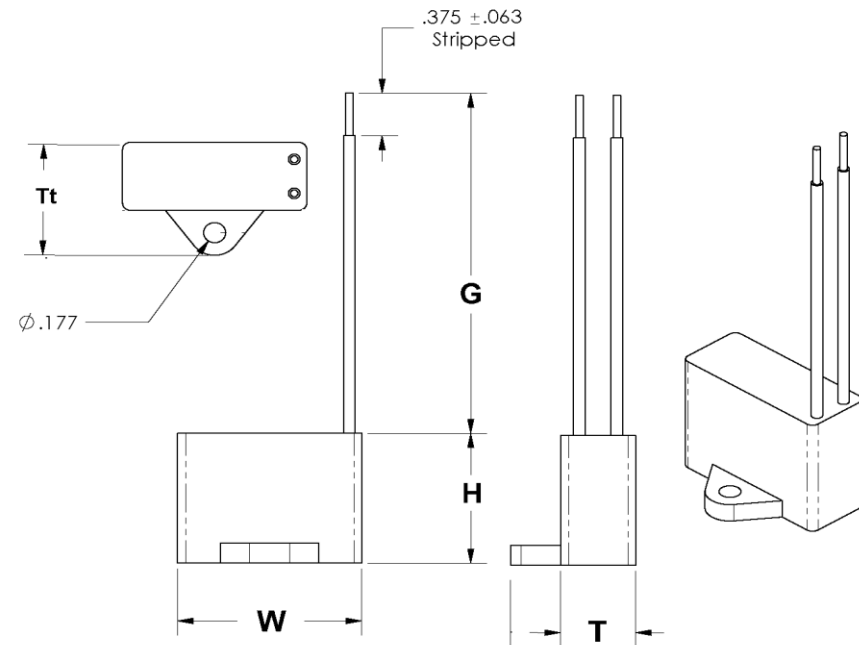
# MOTOR Capacitors, Inc.

Motor Capacitors, Inc.  
 335 Beinoris Drive  
 Wood Dale, Illinois 60191  
 773-774-6666 (Phone) | 773-774-6690 (Fax)  
[www.capacitorindustries.com](http://www.capacitorindustries.com)  
[info@capacitorindustries.com](mailto:info@capacitorindustries.com)

	Dimension	Tolerance
Width (W)	<b>1.45</b>	<b>0.03</b>
Thickness (T)	<b>0.60</b>	<b>0.03</b>
Height (H)	<b>1.10</b>	<b>0.03</b>
Total Thickness (Tt)	<b>0.99</b>	<b>0.05</b>
Wire Length (G)	<b>3.50</b>	<b>0.50</b>
Wire Gauge (Gw)	<b>18</b>	<b>Solid</b>
Wire Color (Cw)	<b>Black</b>	<b>RU Approved</b>

Dimensions in inches

Stamping	<b>ADPR</b>
	<b>1.5 uF 5% 370 VAC</b>
	<b>-25 - +85 C.</b>
	<b>50 - 60 Hz.</b>
	<b>Motor Cap</b>
	<b>Resistor and Thermal Fuse</b>
	<b>RU, cRU, RoHS</b>



**Thermal Fuse: Uchihashi part number 121 or equivalent.**  
**With Internal Bleed Resistor; 2.0 Meg. Ohm, 1/2 watt.**  
**Wire-18 AWG Solid UL Approved 105°C 600 V PVC insul.**

Engineer J.D. Aldana  
 Date May 18, 2010