

Part Number	<b>ADP440N904JL</b>		Revision
Customer P/N	<b>A-24984-J</b>		Revision
Capacitance	<b>0.9</b>	uF.	Tolerance <b>5%</b>
Voltage	<b>440</b>	VAC	
Dielectric	<b>Metallized Polypropylene</b>		
Terminal Type	<b>Insulated Wire Leads</b>		
Operating Temperature	<b>-25</b>	<b>85 °C.</b>	
Dissipation Factor	<b>0.001</b>	maximum	@ 60 Hz.

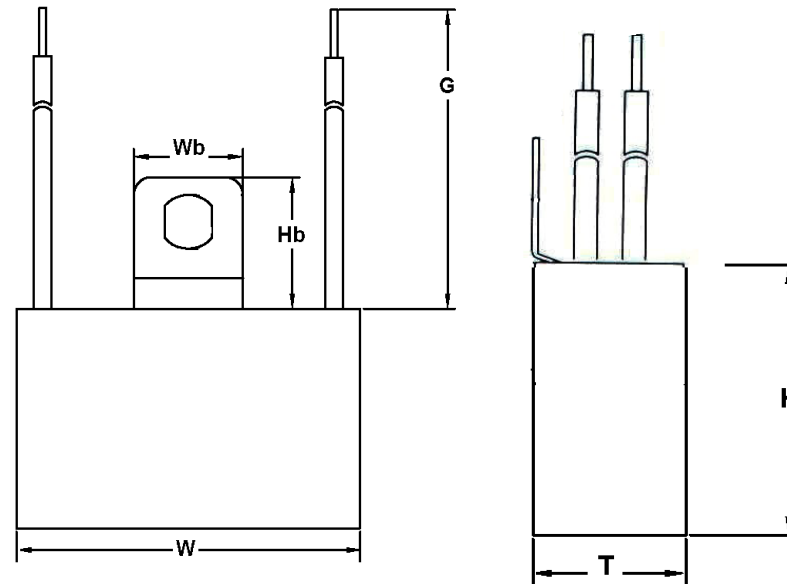
# MOTOR Capacitors, Inc.

**Motor Capacitors, Inc.**  
 335 Beinoris Drive  
 Wood Dale, Illinois 60191  
 773-774-6666 (Phone) | 773-774-6690 (Fax)  
[www.capacitorindustries.com](http://www.capacitorindustries.com)  
[info@capacitorindustries.com](mailto:info@capacitorindustries.com)

	Dimension	Tolerance
Width (W)	1.50	max.
Thickness (T)	0.67	max.
Height (H)	1.12	max.
Total Thickness (Tt)	0.75	max.
Wire Length (G)	5.50	0.50
Wire Gauge (Gw)	18/20	AWG
Wire Color (Cw)	Black	
Bracket Height (Hb)	0.55	0.06
Bracket Width (Wb)	0.47	0.03

*Dimensions in inches*

Stamping	<b>ADP</b>
	<b>.90 uF 5% 440 VAC</b>
	<b>-25 - +85 C.</b>
	<b>50 - 60 Hz.</b>
	<b>Motor Cap</b>
	<b>CBB61</b>
	<b>RU, cRU, RoHS</b>



UL Recognized Component



Approval: J.D. Aldana  
 Date January 19, 2010