

|                       |                                 |               |                     |
|-----------------------|---------------------------------|---------------|---------------------|
| Part Number           | <b>ADP370M755JL</b>             |               | Revision            |
| Customer P/N          | <b>195-075-0370</b>             |               | Revision            |
| Capacitance           | <b>7.5</b>                      | uF.           | Tolerance <b>5%</b> |
| Voltage               | <b>370</b>                      | VAC           |                     |
| Dielectric            | <b>Metallized Polypropylene</b> |               |                     |
| Terminal Type         | <b>Insulated Wire Leads</b>     |               |                     |
| Operating Temperature | <b>-40</b>                      | <b>85 °C.</b> |                     |
| Dissipation Factor    | <b>0.001</b>                    | maximum       | @ 60 Hz.            |

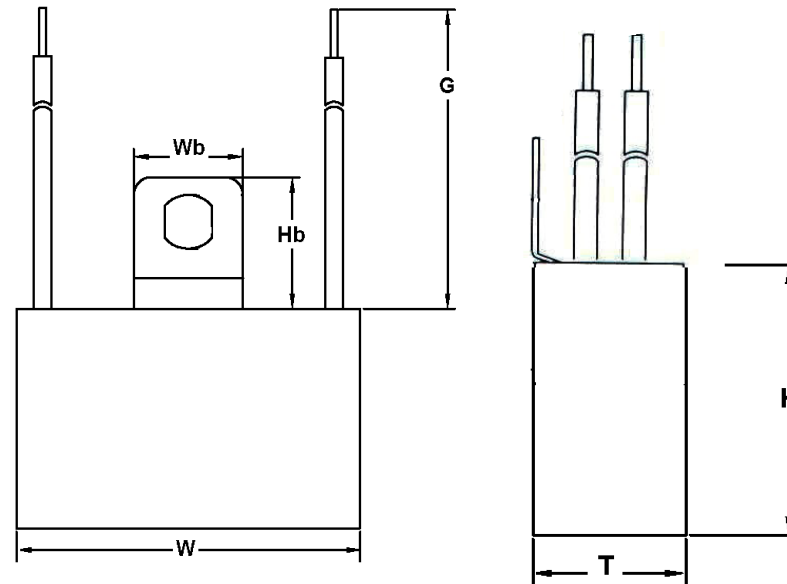
# MOTOR Capacitors, Inc.

**Motor Capacitors, Inc.**  
 335 Beinoris Drive  
 Wood Dale, Illinois 60191  
 773-774-6666 (Phone) | 773-774-6690 (Fax)  
[www.capacitorindustries.com](http://www.capacitorindustries.com)  
[info@capacitorindustries.com](mailto:info@capacitorindustries.com)

|                      | Dimension | Tolerance |
|----------------------|-----------|-----------|
| Width (W)            | 1.85      | 0.03      |
| Thickness (T)        | 0.87      | 0.03      |
| Height (H)           | 1.38      | 0.03      |
| Total Thickness (Tt) | 0.94      | 0.03      |
| Wire Length (G)      | 4.50      | 0.50      |
| Wire Gauge (Gw)      | 20        | AWG       |
| Wire Color (Cw)      | Black     |           |
| Bracket Height (Hb)  | 0.55      | 0.03      |
| Bracket Width (Wb)   | 0.47      | 0.03      |

*Dimensions in inches*

|          |                       |
|----------|-----------------------|
| Stamping | Logo/ADP              |
|          | 7.5 uF 5% 370 VAC     |
|          | -40 - +85 C.          |
|          | 50 - 60 Hz.           |
|          | Motor Cap CBB6-1      |
|          | 195-075-0370          |
|          | RU cRU RoHs Date Code |



UL Recognized Component



Approval: J.D. Aldana  
 Date October 22, 2013