

Part Number	ADP370M2255JL		Revision
Customer P/N	195-022-0370		Revision
Capacitance	22.5	uF.	Tolerance 5%
Voltage	370	VAC	
Dielectric	Metallized Polypropylene		
Terminal Type	Insulated Wire Leads		
Operating Temperature	-40	85 °C.	
Dissipation Factor	0.001	maximum	@ 60 Hz.

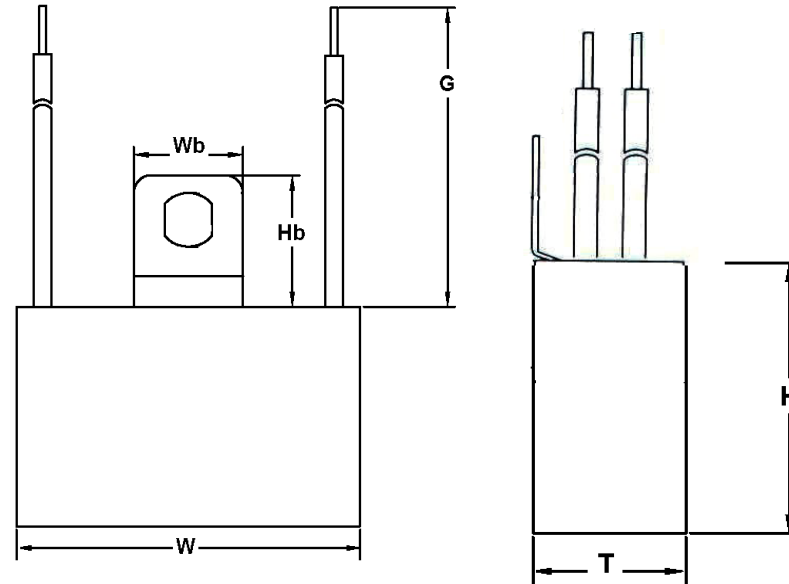
MOTOR Capacitors, Inc.

Motor Capacitors, Inc.
 335 Beinoris Drive
 Wood Dale, Illinois 60191
 773-774-6666 (Phone) | 773-774-6690 (Fax)
www.capacitorindustries.com
info@capacitorindustries.com

	Dimension	Tolerance
Width (W)	2.70	0.03
Thickness (T)	1.20	0.03
Height (H)	1.77	0.03
Total Thickness (Tt)	1.18	0.03
Wire Length (G)	5.00	0.50
Wire Gauge (Gw)	18	AWG
Wire Color (Cw)	Black	
Bracket Height (Hb)	0.55	0.03
Bracket Width (Wb)	0.47	0.03

Dimensions in inches

Stamping	Logo/ADP
	22.5 uF 5% 370 VAC
	-40 - +85 C.
	50 - 60 Hz.
	Motor Cap CBB61
	195-022-0370
	RU cRU RoHs Date Code



UL Recognized Component

Approval: J.D. Aldana
 Date: March 28, 2012

